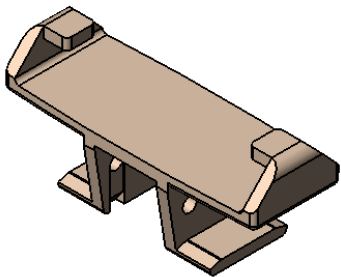
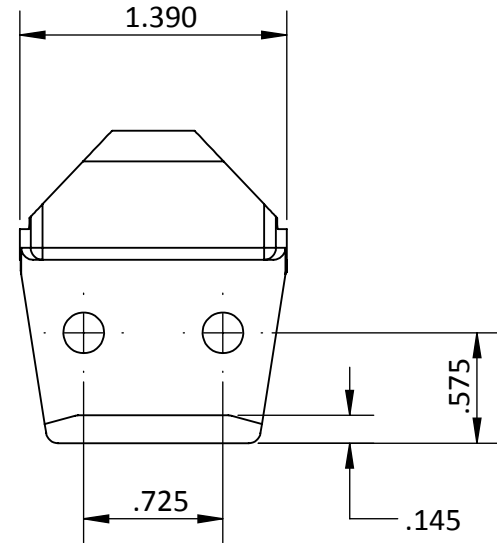
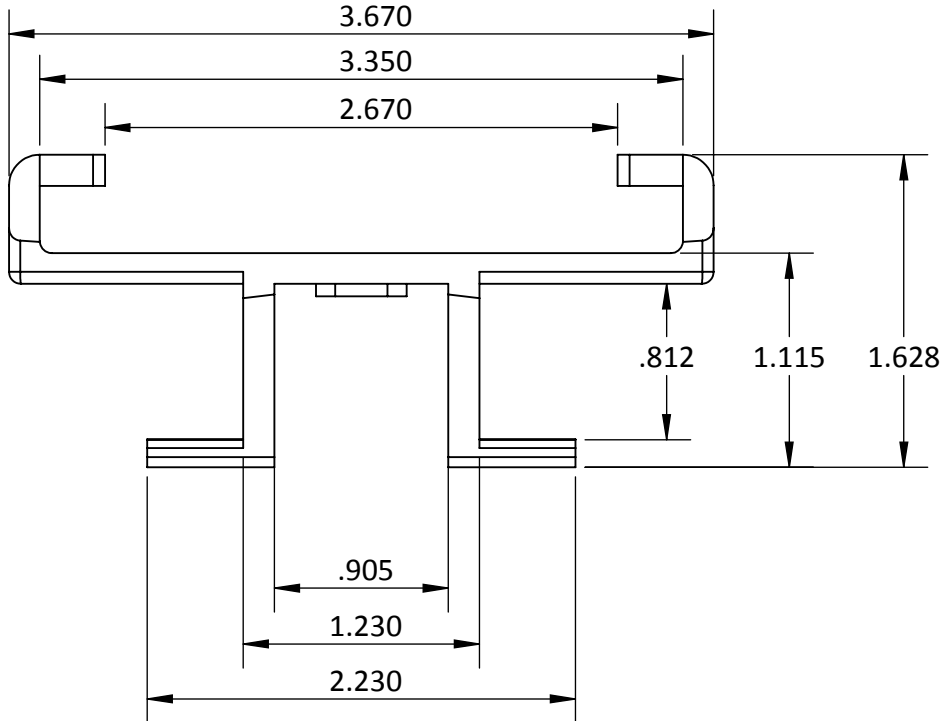


R28.090



Uni-Spray Systems Inc.
 44 Durward Place
 Waterloo, Ontario, Canada
 N2L 4E4
 Tel:519-885-4270 Fax:519-885-4325
 Disclaimer: This drawing is property
 of Uni-Spray Systems Inc. and
 contains proprietary information.
 It is not to be reproduced without
 written permission

Uni-Spray
Systems Inc.
 Creating Industry
 Standards Worldwide

NAME	CHRISTINE J.		Description:	
MATERIAL			GRIPPER CARRIER	
COLOUR	Beige		SIZE	DWG NO. TBS-5000-031-HH
DUROMETER			A	DATE: March-24-14
SHRINK			SCALE: 1:1	WEIGHT: 0.05
				SHEET 1 OF 1