

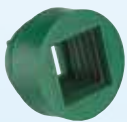
Beverage Machinery Components

Uni-Spray
Systems Inc.



Uni-Spray Systems Inc.

Creating Industry Standards Worldwide



Contents

Welcome to Uni-Spray Systems Inc.	4
Beverage Machinery Components	6
Bottle Washer Components	9
Barzotti Filler Components	19
Can Filler	21
Uncaser Components	23
Cemco	27
Colbert & Carvill Filler Components	31
Crown Century	33
Crown Filler Components	39
Crown Uniblend Components	57
GAI Filler Components	63
H & K Components	65
Hartness Seal Components	75
Keg Filling / Cleaning Components	81
KHS Components	85
Krones Components	91
Labeler Components	101
Linker Components	103
Meyer Components	105
MRM Components	121
O & H Filler	123
Pasturizer Components	125
Seitz Brand Components	127
Seitz Custom Components	131
Simonazzi Brand Filler Components	135
Universal Valve Seals	163
US Filler Components	169
Customer Ordering Form	172
Notes	173



WELCOME TO UNI-SPRAY SYSTEMS INC.

Through the 1970's and 80's Uni-Spray Systems Inc existed as Auto Flush Systems, a company well known in the bottling industry. Through those years Auto Flush introduced literally hundreds of innovative new products. From seals, backrests and filler tubes to bushings, centering bells and bottle washer components, many of these parts have become standard equipment on fillers throughout the world. In the late 1980's a diversification in to the finishing industry brought about a new name, Uni-Spray Systems Inc.

Today Uni-Spray Systems Inc services over 60 countries worldwide and has continued its ongoing commitment to research and development. Through these efforts we continue to bring innovative new products to the bottling industry.

Uni-Spray understands the demands of today's high speed bottling environments. Our replacement parts are manufactured from the highest quality materials to provide your company with a product that is not only superior in performance but also long wearing. A long lasting part means fewer replacements and consequently fewer shutdowns. This in turn translates into significant savings for your company. Uni-Spray's manufacturing processes are virtually self-contained and as a result we maintain a high degree of control over our design and cost factors, start to finish. You, in turn, enjoy the benefits of competitive pricing and the fastest delivery schedule in the industry.

Uni-Spray has always made efforts to provide our customers with new ideas while continuously improving our product lines. As a result we are able to offer our customers products in a large range of materials, durometers and working temperature ranges for the most demanding applications.

As a result of our forward thinking, if you require products that are not currently listed in our catalogue do not hesitate to contact us for a quote.



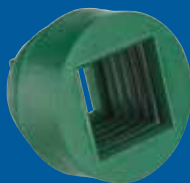
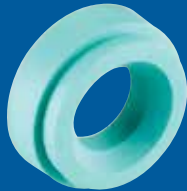
Bottling Division
High quality long-life wear components for the packaging industry.



Metal Finishing Division
Global supplier of innovative spray nozzle solutions.



Contract Manufacturing
Custom injection molding using cutting edge technologies.



Bottle Filler Components

Uni-Spray Systems Inc manufactures a large line of replacement parts for bottle filling machinery using the highest quality materials and cutting edge technology. Our replacement components are available for most brands of equipment and can be custom designed and manufactured to specific customer requirements. In every possible case these products have been designed to out perform OEM replacements, often at significant cost saving. If you do not see the specific product you are looking for, please, do not hesitate in contacting our design team to discuss manufacturing a part to your specific needs.

1. Sealing Rubbers

Uni-Spray manufactures high quality FDA approved TPU and TPE sealing rubbers that are molded to exacting standards in an extremely wear resistant material and available in various colors, materials and durometers from 35-95 Shore A. Our inventory of sealing rubbers is huge and ever evolving.

2. Liquid Seals

Uni-Spray manufactures a variety of components that fit inside filling valves and are made from high strength, high temperature materials that perform flawlessly during Hot CIP.

3. Centering Cups

Uni-Spray custom manufactures a range of centering cups to fit many machines in many different designs, specializing in two piece centering cups with snap in inserts. The hard delrin cup is molded and/or machined to fit impeccably with our snap in polyurethane insert seals, creating very few if any crevices, for an extremely sanitary cup. These cups can be manufactured in other materials and color coded as per our customers requests.

4. One Piece Seal System

Uni-Spray manufactures the "One Piece Seal System." The seal simply snaps into the holder by hand, is replaced in seconds without tools and replaces the centering cup, sealing rubber and often, the retaining clips. Seals are color coded and can be manufactured in various designs to accommodate plants with multiple lines, or multiple products being run on one line.

Bottle Washer Components

Uni-Spray manufactures an extensive line of high quality replacement parts that are superior in design and composition to other replacement products and specifically designed for the major OEM's bottle washers. Our investment in manufacturing equipment and tooling allows us to supply our customers high quality products at prices second to none. Our products are designed to eliminate many of the ongoing issues found in the parts originally supplied with your equipment.

1. Discharge Backrests

Uni-Spray has custom designed a high strength, long life TPU backrest for the discharge of most bottle washers that eliminate issues during installation and removal of these components.

2. Conveyor Components

Uni-Spray carries a line of high quality and competitively priced replacement conveyor components for bottle washers. These products range from pocket carriers (40 or 44 wide), discharge bottle guides, and conveyor rubbers. Other products available on request.

3. Discharge Roller Shafts

Uni-Spray's bottle discharge rollers are solid stainless steel roller shafts with high strength polyurethane coatings available for 40 and 44 wide soakers. Roller shafts are made to order so please call about pricing and delivery.

4. Replacement Soaker Pockets

Uni-Spray's custom designed soaker pockets, available with wide and narrow neck openings in both standard and end pocket configurations have virtually eliminated all of the problematic design issues associated with the OEM components.

5. Rinser Cups

Uni-Spray has designed a super strong replacement for OEM rinser cups that are available in both clamp-on and bolt in designs, and are color coded to identify their fit on certain pipe sizes. All cups are available with various diameter spray orifices. As a compliment to our line of bolt on cups we also offer stainless steel bolt in nozzles in various thread sizes and orifice dimensions.



Pasteurizer Components

Uni-Spray manufactures an ever evolving line of components for pasteurizers. Pasteurizers use many types of spray nozzles therefore providing an easy off shoot of our pretreatment and spray system line. Our line of components also includes several spray bar components and tools used to make replacement easier and more efficient. Since the spray nozzles are very specific to certain applications, we ask that you call to discuss the correct nozzle for you.

1. Spray Bar Grommets

Uni-Spray has overhauled the standard rubber OEM spray bar connection and developed another product expected to last in the range of 2-4 times as long as OEM replacement. Our polyurethane spray bar grommets are compatible with most chemicals in both hot and cold zones and have been designed for easier installation. A custom tool has also been developed to make removal a snap.

2. Spray Nozzles

Uni-Spray carries an extensive line of spray nozzles to suit every application. We ask that you contact us to specify your specific nozzle requirements due to the large selection of products.

Can Filler Components

Uni-Spray manufactures a selection of can line components for the most popular can fillers, many of these components are custom designed and made specifically to improve existing filler's performance.

Keg Line Components

Uni-Spray Systems Inc. manufactures several products associated with sealing various kegs during filling and cleaning processes. These products are generally manufactured from high strength Thermo Plastic Elastomers to best suit your application and are expected to wear well even when in contact with high pressure steam. These products are available for several brands of equipment and fit a variety of kegs.

Crowner/Capper Impact Pads

Uni-Spray manufactures a unique line of crowner pads, with focus given to the crowner pads which provide wear characteristics not attainable with typical rubber components. The composition of our pads will not take on the severe compression set as rubber pads do over time, resulting in pads with a superior life span thus reducing changeovers. Our manufacturing process and design considerations ensure our customers can always expect a superior product at very competitive prices.



HIGH QUALITY MATERIALS FOR DEMANDING APPLICATIONS

Uni-Spray Systems Inc. offers many of its sealing components in two main types of material; these materials are designed to replace commonly used rubber parts. Rubber parts are generally not FDA approved, cut easily and need to be replaced more often than their thermoplastic counterparts. In comparison all of our sealing components are FDA approved, can be colour coded and because of the superior quality of the materials used can be expected to far outlast their rubber counterparts.

Thermoplastic Polyurethane — TPU

TPU offers many advantages to conventional rubber products, Polyurethane exhibits excellent abrasion resistance, toughness, low temperature properties, hydraulic stability and fungus resistance, not to mention impressive resistance to acid bases and high temperature cleaning operations. Our high quality TPU materials comply to FDA food contact and NSF61 specifications and are easily colour coded for easy identification. Uni-Spray offers these materials in a range of hardnesses from 60-95 Shore A to best suit your demanding application.

Thermoplastic Elastomers — TPE

TPEs are high performance Elastomers which successfully combine performance characteristics of vulcanized rubbers with the processing ease and low cost of thermoplastics. In many applications, lower production costs, consistent quality and improved product performance have been a result of TPEs unique combination of material properties and production ease. Additionally TPEs withstand operation temperatures to 150°C (300°F) and resistance to most aqueous solutions. Low compression set, outstanding dynamic fatigue resistance, good tear strength and excellent ozone resistance are advantages of using TPE materials. Uni-Spray offers these materials in colourable FDA approved grades ranging from 55-80 Shore A to best suit your demanding application.

Please contact us for more options and additional material specifications.

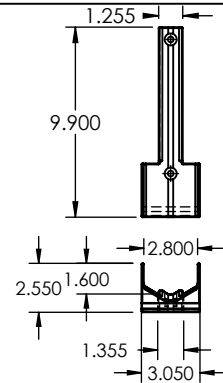
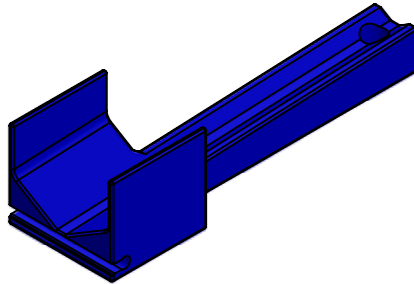


A dynamic splash of water in shades of blue and white, moving from left to right across the middle of the page. The water is captured in mid-air, creating a sense of motion and freshness.

BOTTLE WASHER COMPONENTS

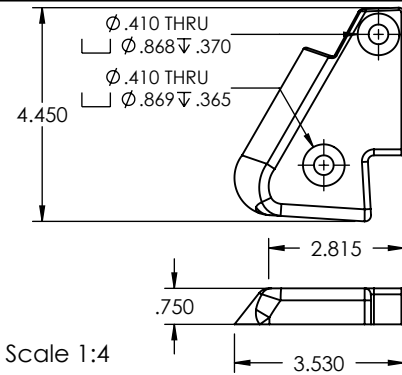
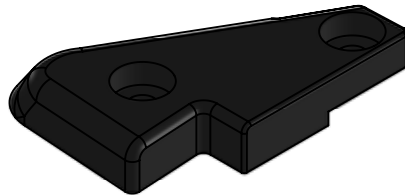
BOTTLE WASHER COMPONENTS

Part No.:	USN-BW-BRM4
Description:	BW Bottle washer backrest
Color:	Blue
Material:	TPU 90A



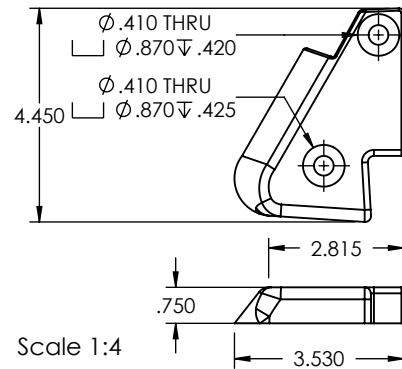
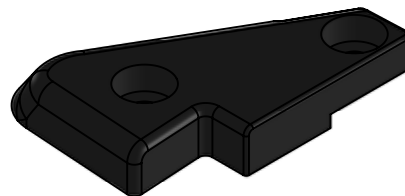
Scale 1:12

Part No.:	USN-BW-CSL
Description:	Bottle washer left cam segment
Color:	Black
Material:	Nylon



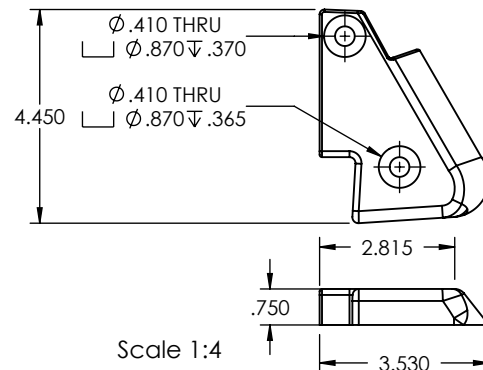
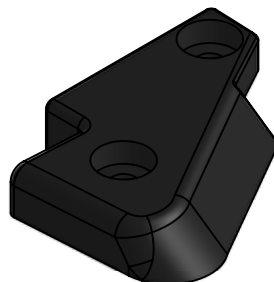
Scale 1:4

Part No.:	USN-BW-CSL-D
Description:	Bottle washer left cam segment
Color:	Black
Material:	Nylon

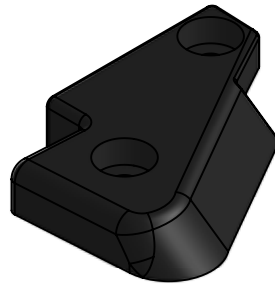
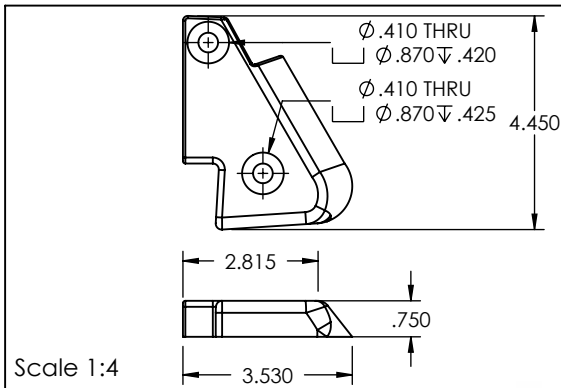


Scale 1:4

Part No.:	USN-BW-CSR
Description:	Bottle washer right cam segment
Color:	Black
Material:	Nylon

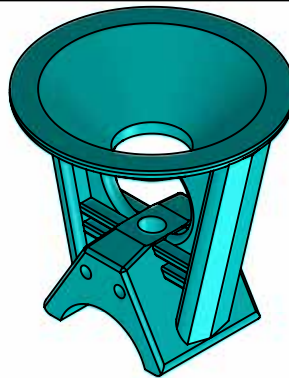
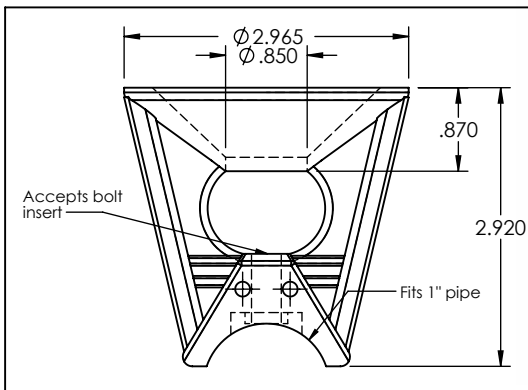


Scale 1:4



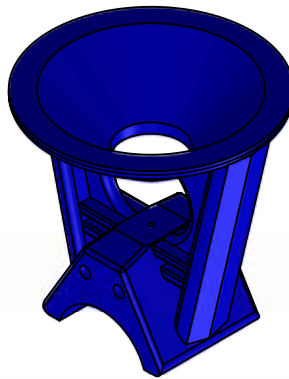
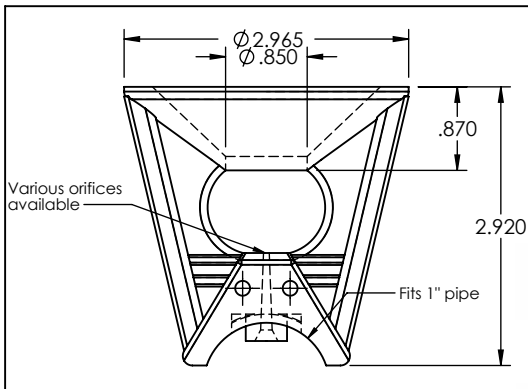
Part No.:	USN-BW-CSR-D
Description:	Bottle washer right cam segment
Color:	Black
Material:	Nylon

Scale 1:4



Part No.:	USN-RC100-BO
Description:	1" bolt on rinser
Color:	Light blue
Material:	Polypropylene

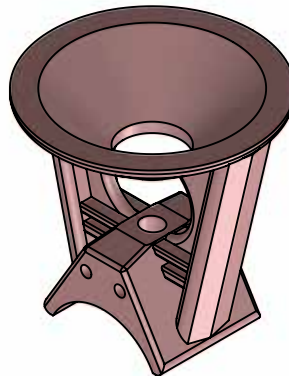
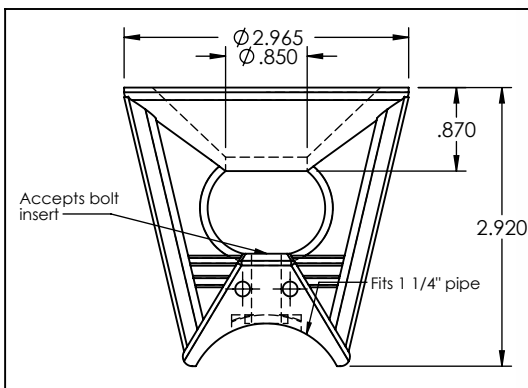
Scale 1:2



Part No.:	USN-RC100-DC
Description:	1" clamp on rinser
Color:	Blue
Material:	Polypropylene

Note: Spring clamps not shown

Scale 1:2

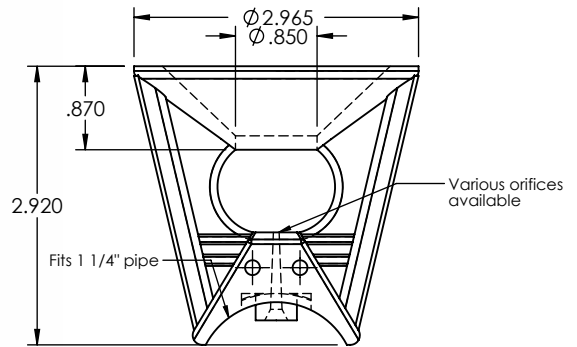
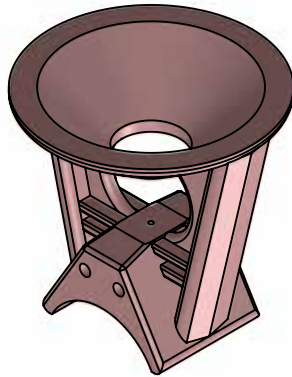


Part No.:	USN-RC125-BO
Description:	1 1/4" bolt on rinser
Color:	Pink
Material:	Polypropylene

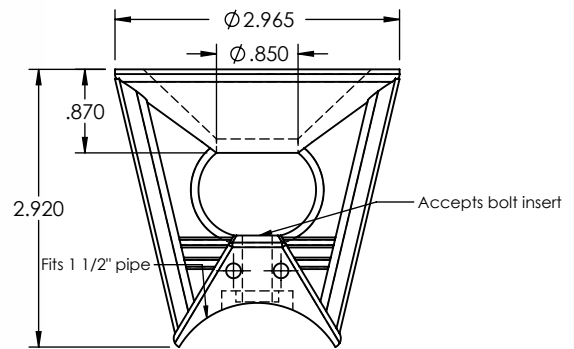
Scale 1:2

BOTTLE WASHER COMPONENTS

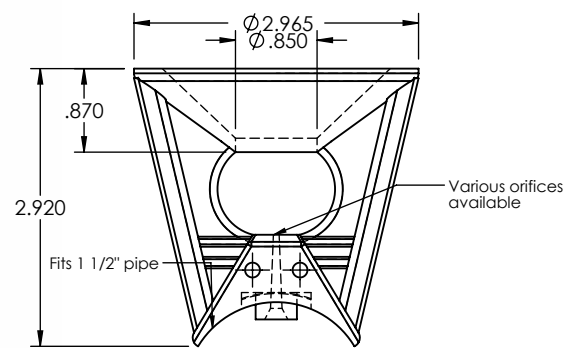
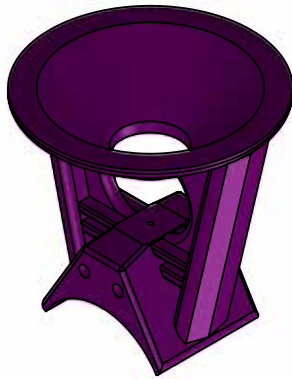
Part No.:	USN-RC125-DC
Description:	1 1/4" clamp on rinser
Color:	Pink
Material:	Polypropylene
Note:	Spring clamps not shown
Scale 1:2	



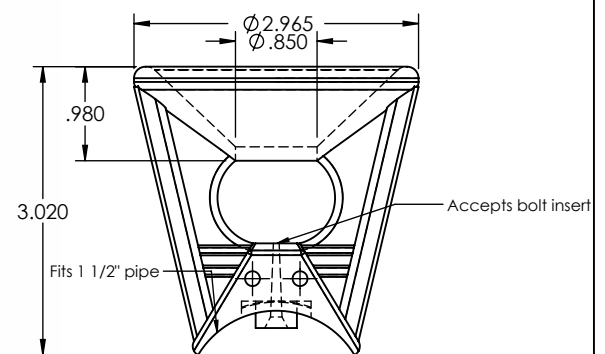
Part No.:	USN-RC150-BO
Description:	1 1/2" bolt on rinser
Color:	Purple
Material:	Polypropylene
Scale 1:2	

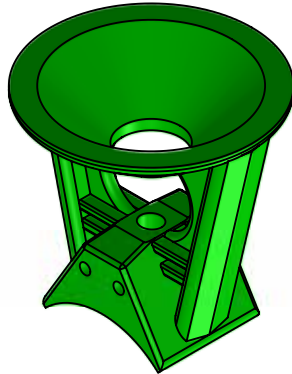
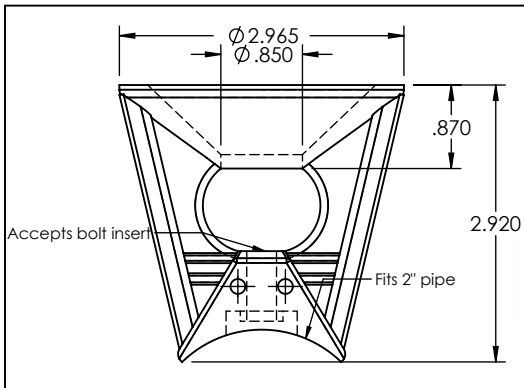


Part No.:	USN-RC150-DC
Description:	1 1/2" clamp on rinser
Color:	Purple
Material:	Polypropylene
Note:	Spring clamps not shown
Scale 1:2	



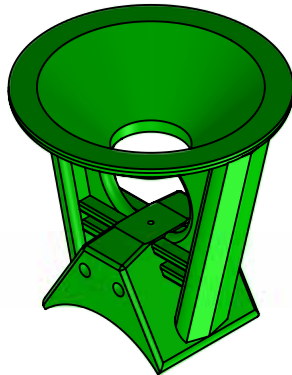
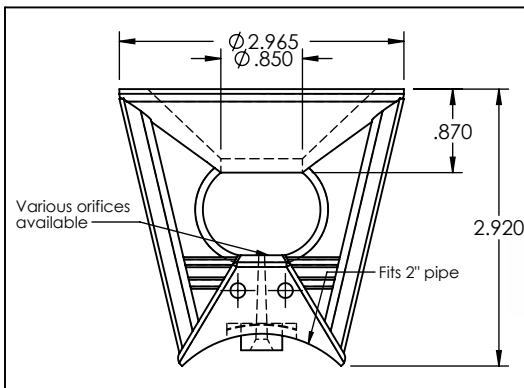
Part No.:	USN-RCR150-DC
Description:	1 1/2" round end clamp on rinser
Color:	Purple
Material:	Polypropylene
Scale 1:2	





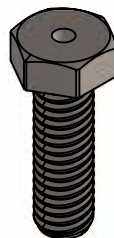
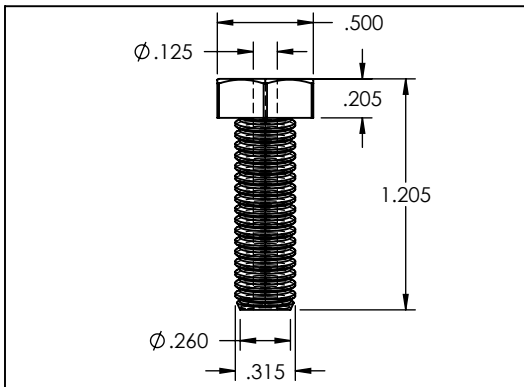
Part No.:	USN-RC200-BO
Description:	2' bolt on rinser
Color:	Green
Material:	Polypropylene

Scale 1:2



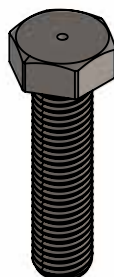
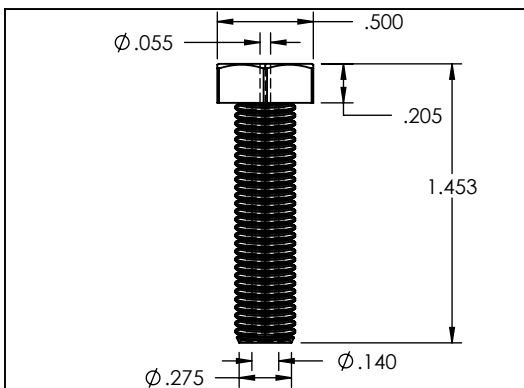
Part No.:	USN-RC200-DC
Description:	2' clamp on rinser
Color:	Green
Material:	Polypropylene
Note:	Spring clamps not shown

Scale 1:2



Part No.:	USN-RCBOLT
Description:	Caustic bolt
Color:	N/A
Material:	Stainless steel

Scale 1:2

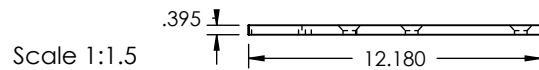
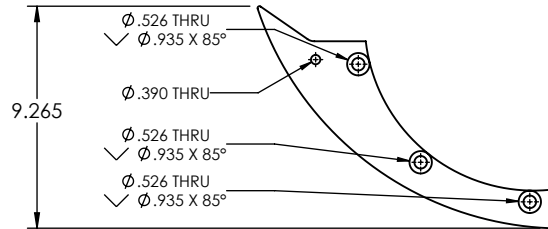
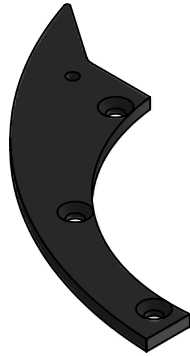


Part No.:	USN-RC-BOLT-X
Description:	Rinser bolt
Color:	N/A
Material:	Stainless steel

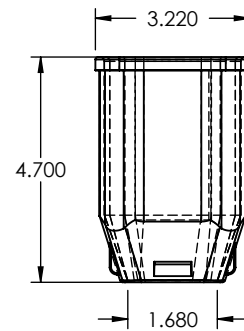
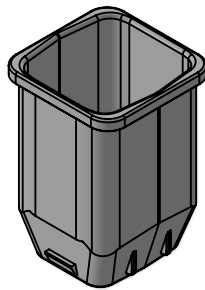
Scale 1:2

BOTTLE WASHER COMPONENTS

Part No.:	USN-Z124582
Description:	Finger pickup
Color:	Black
Material:	Nylon

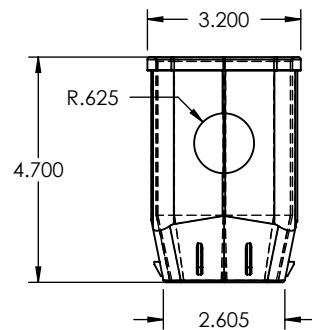
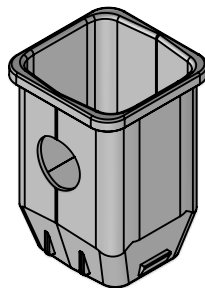


Part No.:	USN-SP1A
Description:	Soaker pocket
Color:	Natural
Material:	Polypropylene



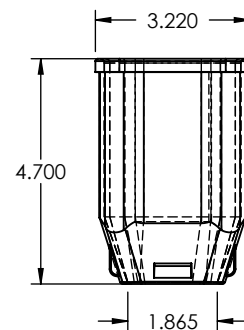
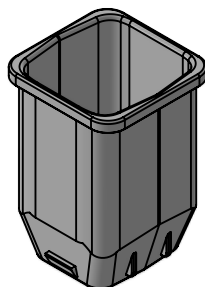
Scale 1:4

Part No.:	USN-SP1E
Description:	Soaker pocket-end piece
Color:	Natural
Material:	Polypropylene

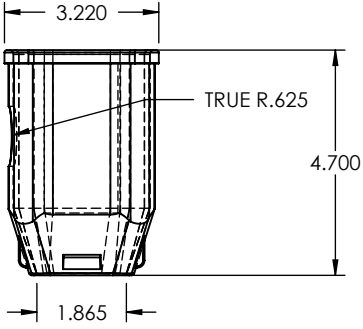
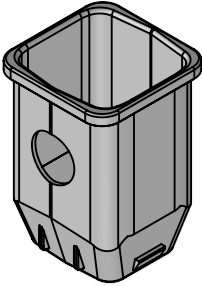



Scale 1:4

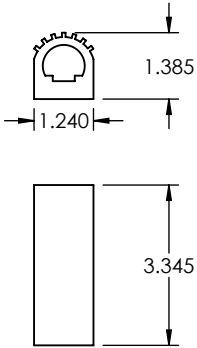
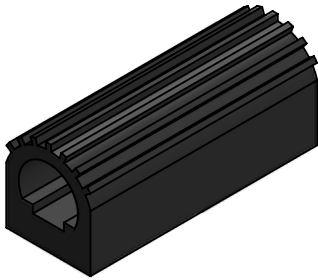
Part No.:	USN-SP1-LB
Description:	Wide opening soaker pocket
Color:	Natural
Material:	Polypropylene



Scale 1:4

		Part No.:	USN-SP1-LBE
		Description:	Wide opening soaker pocket-end piece
		Color:	Natural
		Material:	Polypropylene
			Scale 1:4

	Part No.:	VARIOUS USN-UNI-SS	
	Description:	Spring clip for rinsers cup	
	Color:	N/A	
	Material:	Stainless steel	
		Note:	Available in 1", 1 1/4", 1 1/2", and 2" sizes
			Scale 1:2.5

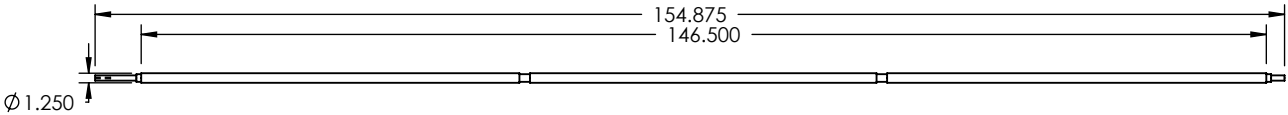
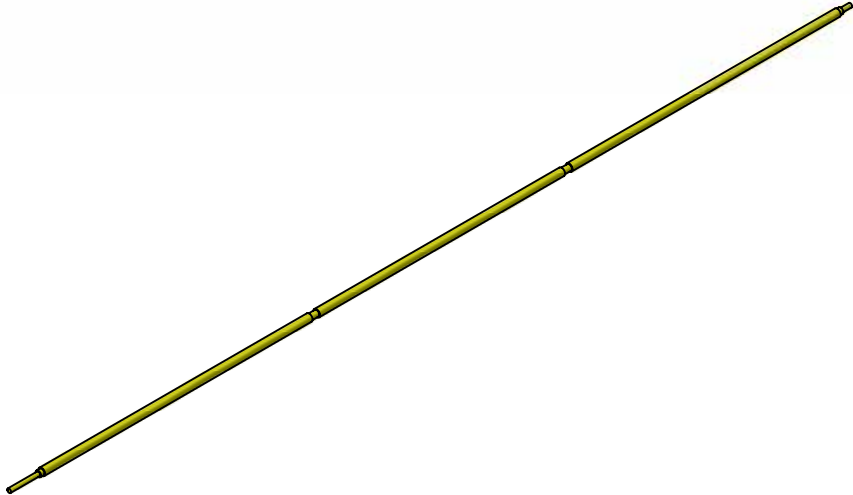
		Part No.:	USN-BEV-SR
		Description:	Soaker rubber
		Color:	Black
		Material:	TPE
			Scale 1:4

<p>OUR CATALOGUE IS EVOLVING, IF YOU DON'T SEE YOUR COMPONENT CONTACT US FOR AVAILABILITY</p>	Part No.:	-
	Description:	-
	Color:	-
	Material:	-
		-

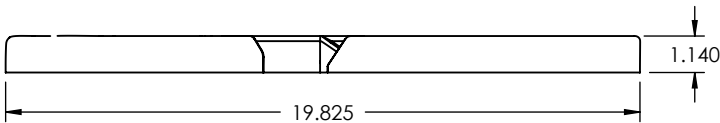
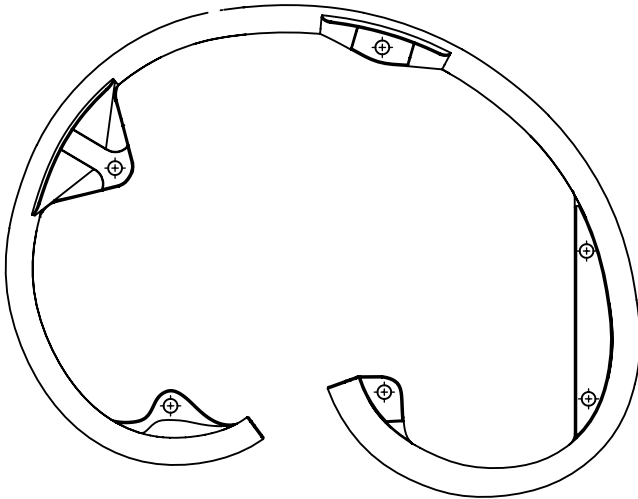
BOTTLE WASHER COMPONENTS

Part No.: USN-Z124152
Description: 40 wide high speed roller
Color: Yellow
Material: Bottle washer discharge live roller

Scale 1:25



Part No.:	USN-BW-GR
Description:	Guide
Color:	Black
Material:	Nylon

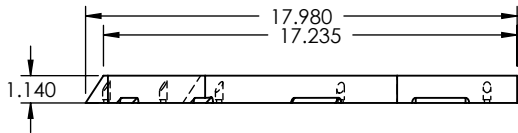
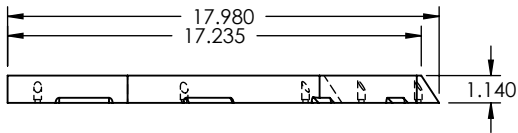
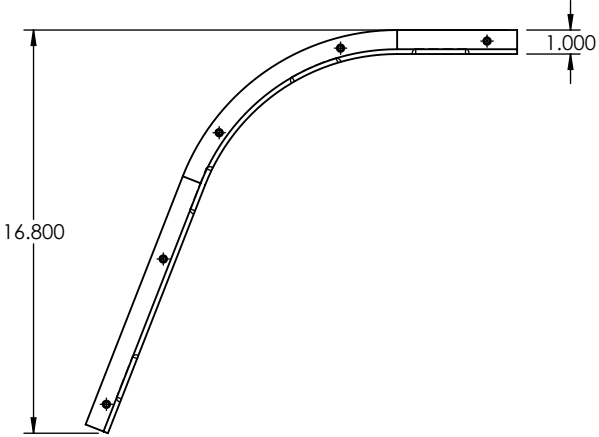
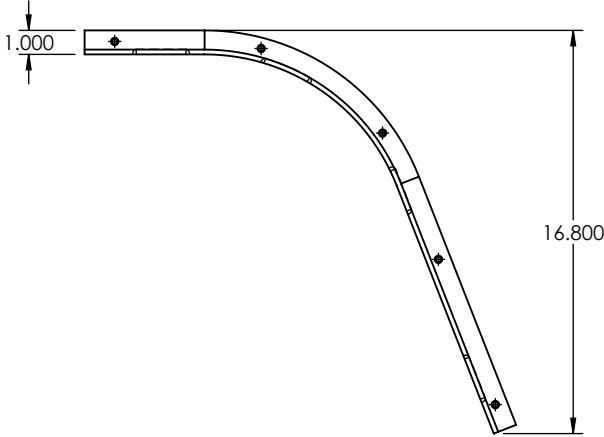


Scale 1:6

BOTTLE WASHER COMPONENTS

Part No.:	USN-BR-1
Description:	Left & Right Guide Rail
Color:	Black
Material:	TPU 95A

Scale 1:8

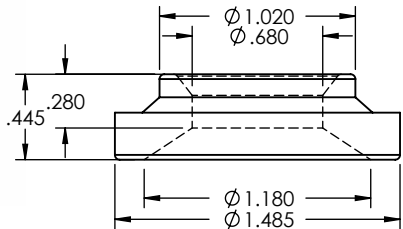
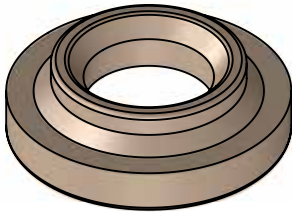


A dynamic splash of water in shades of blue and white, moving from left to right across the middle of the page. The water is captured in mid-air, creating a sense of motion and freshness.

BARZOTTI FILLER COMPONENTS

BARZOTTI FILLER COMPONENTS

Part No.:	USN-BAR-001
Description:	Barzotti insert seal
Color:	Beige
Material:	-



Part No.:	-
Description:	-
Color:	-
Material:	-

VARIOUS CENTERING BELLS AVAILABLE

Part No.:	-
Description:	-
Color:	-
Material:	-

YOUR CUSTOM PART HERE

Part No.:	-
Description:	-
Color:	-
Material:	-

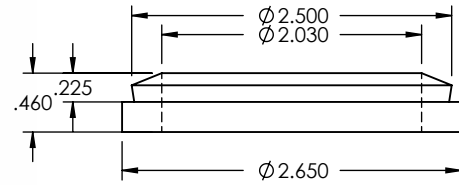
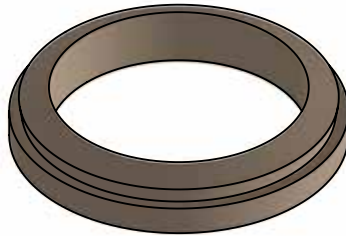
OUR CATALOGUE IS EVOLVING, IF DON'T SEE YOUR COMPONENT CONTACT US FOR AVAILABILITY



CAN FILLER

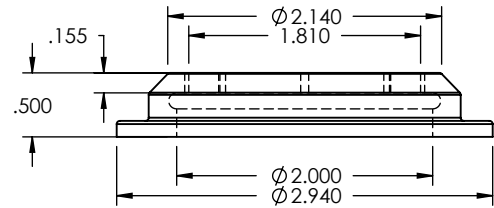
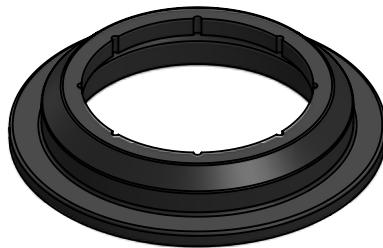
CAN FILLER

Part No.:	USN-WB-CS1
Description:	Can seal
Color:	Beige
Material:	TPE 73A



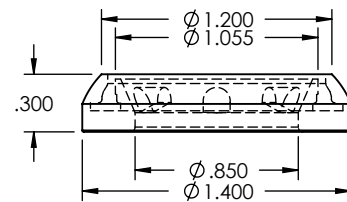
Scale 1:1.5

Part No.:	USN-CR-202
Description:	Can seal
Color:	Black
Material:	TPE 64A



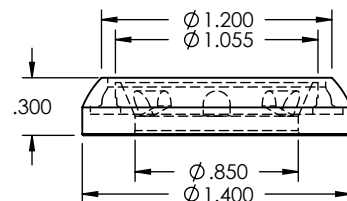
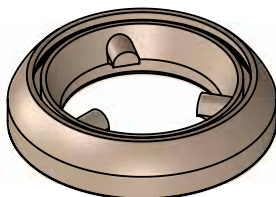
Scale 1:1.5

Part No.:	USN-CR-SS50
Description:	Crown sleeve seal
Color:	Black
Material:	TPE 55A



Scale 1:1

Part No.:	USN-CR-SS70
Description:	Crown sleeve seal
Color:	Beige
Material:	TPE 73A



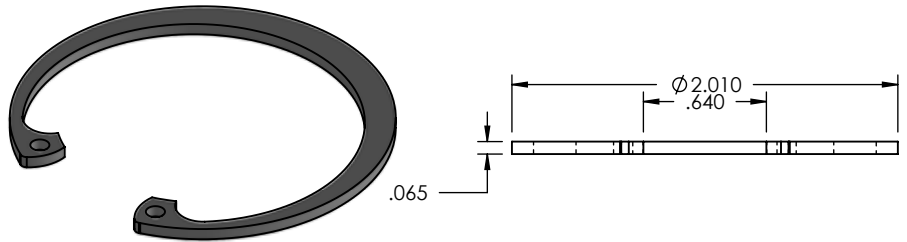
Scale 1:1



UNCASER COMPONENTS

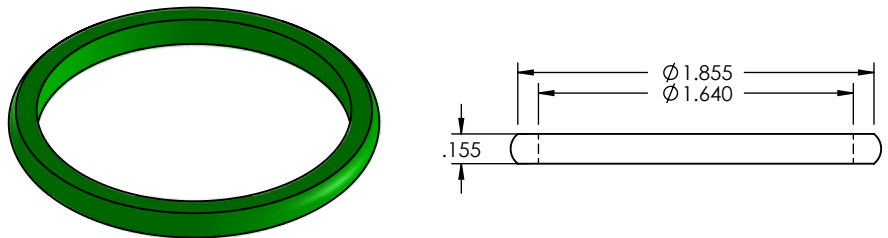
UNCASER COMPONENTS

Part No.:	USN-BG-IRR
Description:	C-clip internal retainer ring
Color:	N/A
Material:	Stainless steel



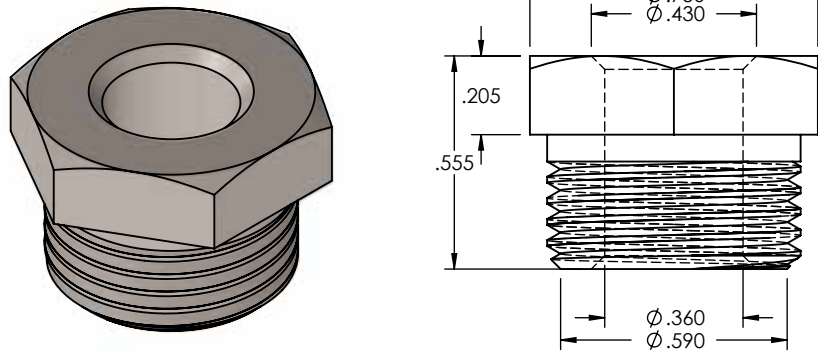
Scale 1:1

Part No.:	USN-BG-OR
Description:	O-ring
Color:	Green
Material:	TPU 80A



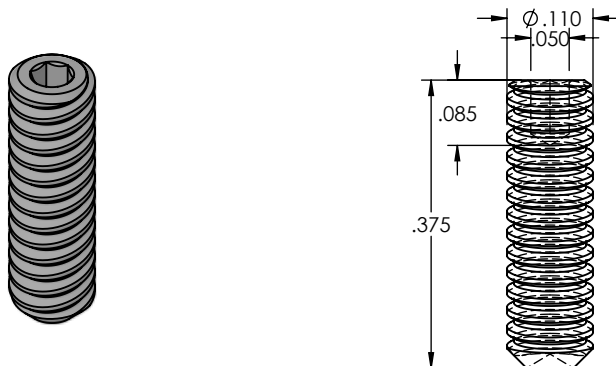
Scale 1:1

Part No.:	USN-BG-RB
Description:	Reducer bushing
Color:	N/A
Material:	Stainless steel



Scale 2:1

Part No.:	USN-BG-SS
Description:	4-40X3/8 s.s. soc. set screw
Color:	N/A
Material:	Stainless steel



Scale 4:1

	Part No.:	USN-Z129607
	Description:	Stem
	Color:	Black
	Material:	TPE 40A

Scale 1:3

	Part No.:	USN-BG-P
	Description:	Piston
	Color:	Black
	Material:	TPU 80A

Scale 1:1

	Part No.:	USN-Z129613
	Description:	Piston support cup
	Color:	Black
	Material:	Nylon

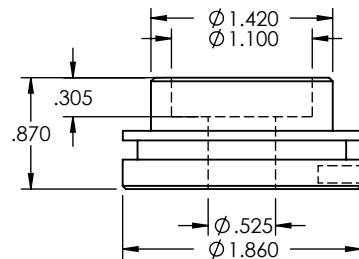
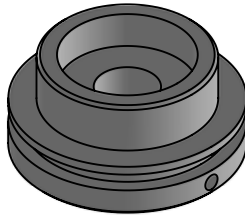
Scale 1:1

	Part No.:	USN-Z129623
	Description:	Gripper body
	Color:	White
	Material:	Nylon

Scale 1:3

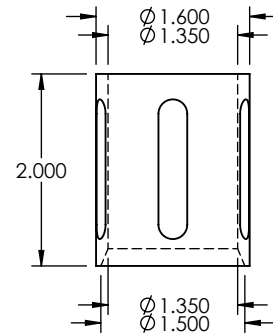
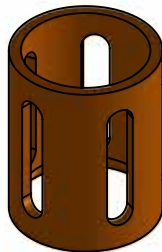
UNCASER COMPONENTS

Part No.:	USN-Z129624
Description:	Gripper top cap
Color:	White
Material:	Nylon



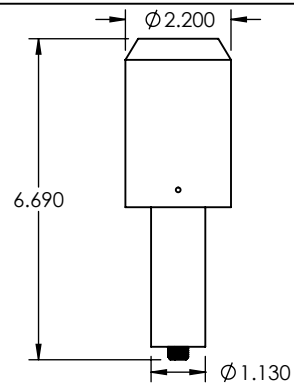
Scale 1:1.5

Part No.:	USN-Z129628
Description:	Gripper
Color:	Orange
Material:	TPU 80A



Scale 1:2

Part No.:	USN-Z129606
Description:	Gripper assembly
Color:	N/A
Material:	Assembly



Scale 1:4

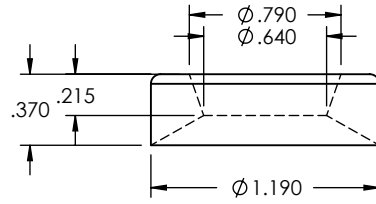
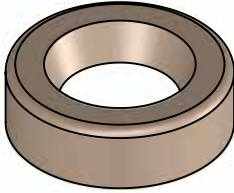
Part No.:	-
Description:	-
Color:	-
Material:	-

OUR CATALOGUE IS EVOLVING, IF YOU DON'T SEE YOUR COMPONENT CONTACT US FOR AVAILABILITY



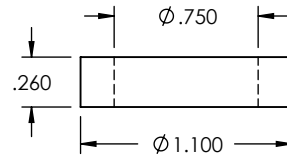
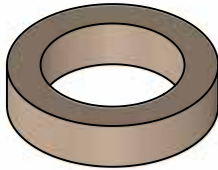
CEMCO

Part No.:	USN-CM-10
Description:	Cemco bell seal
Color:	Beige
Material:	TPU 75A



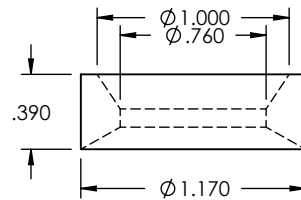
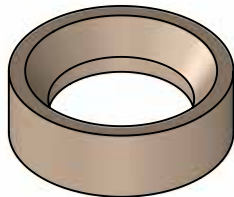
Scale 1:1

Part No.:	USN-CM-12
Description:	Cemco valve seal
Color:	Beige
Material:	TPU 75A



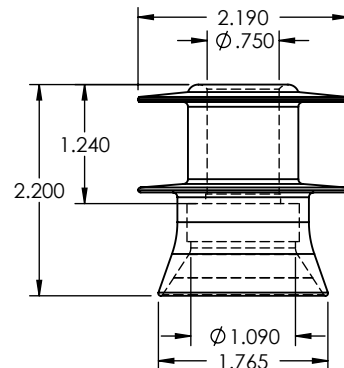
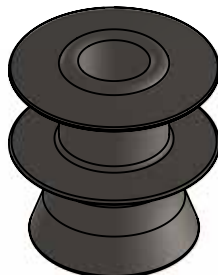
Scale 1:1

Part No.:	USN-CM-VIP-CBS
Description:	Cemco VIP bell seal
Color:	Beige
Material:	TPU 80A



Scale 1:1

Part No.:	USN-CM-SSB100
Description:	Stainless cemco bell
Color:	N/A
Material:	Stainless steel



Scale 1:2

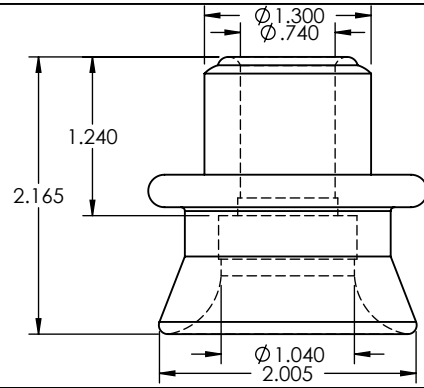
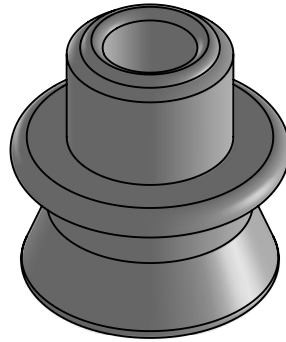
	Part No.:
	USN-CEM-CP-P
	Description:
	Cemco crowner pad
	Color:
	Blue
	Material:
	TPU 80A
Scale 1:2	

	Part No.:
	USN-CM-VIP-442
	Description:
	Cemco bushing
	Color:
	N/A
	Material:
	Brass
Scale 1:1	

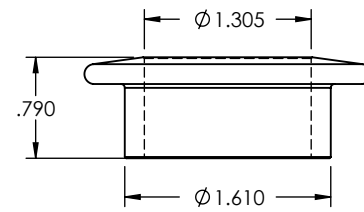
	Part No.:
	USN-CM-VIP-471
	Description:
	Cemco bushing
	Color:
	N/A
	Material:
	Brass
Scale 1:1	

	Part No.:
	USN-CM-VIP-504
	Description:
	Cemco bushing
	Color:
	N/A
	Material:
	Brass
Scale 1:1	

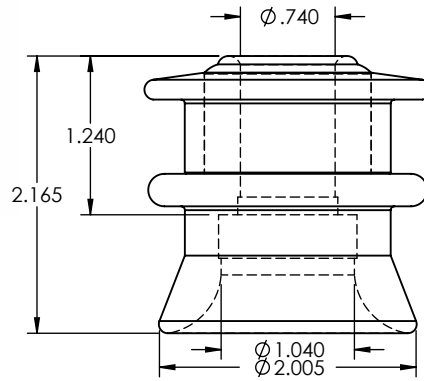
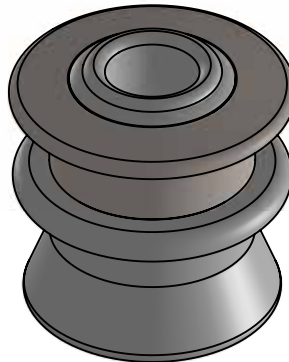
Part No.:	USN-VIP-B1
Description:	Cemco bell assembly
Color:	Various
Material:	Delrin
Note:	Various colours available
Scale 1:1.5	



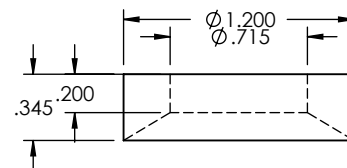
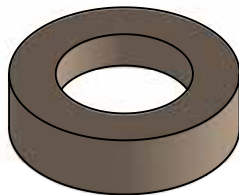
Part No.:	USN-CM-SS
Description:	Stainless steel collar
Color:	N/A
Material:	Stainless steel
Scale 1:1.5	



Part No.:	USN-CM-B-A
Description:	Cemco bell assembly
Color:	Various
Material:	N/A
Scale 1:1.5	



Part No.:	USN-CM-11
Description:	Insert seal
Color:	Beige
Material:	TPU 80A
Scale 1:1	

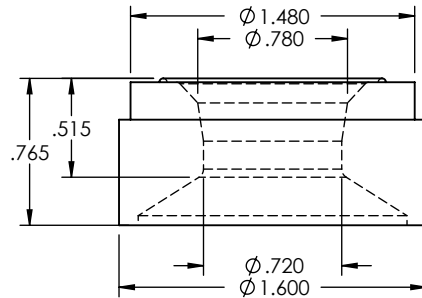


A dynamic splash of water in shades of blue and white, moving from left to right across the middle of the page. The water is captured in mid-air, creating a sense of motion and freshness.

COLBERT & CARVILL FILLER COMPONENTS

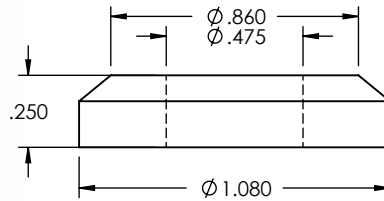
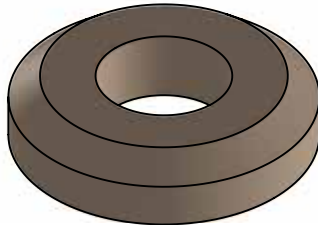
COLBERT & CARVILL FILLER COMPONENTS

Part No.:	USN-AW-28
Description:	Colbert insert seal
Color:	Black
Material:	TPU 75A



Scale 1:1

Part No.:	USN-AW-LS1
Description:	Colbert liquid seal
Color:	Beige
Material:	TPU 80A



Scale 1.5:1

Part No.:	-
Description:	-
Color:	-
Material:	-

YOUR CUSTOM PART HERE

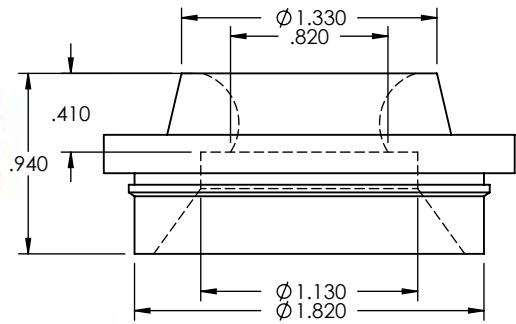
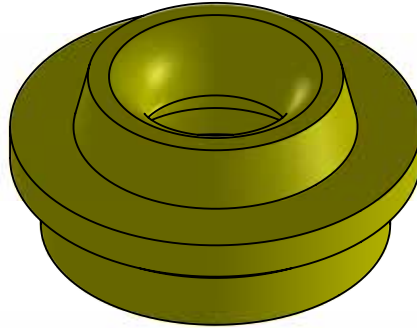
Part No.:	-
Description:	-
Color:	-
Material:	-

OUR CATALOGUE IS EVOLVING, IF YOU DON'T SEE YOUR COMPONENT CONTACT US FOR AVAILABILITY

A dynamic splash of water in shades of blue, moving from left to right across the middle of the page. The water is captured in mid-air, with droplets and ripples visible. A solid dark blue horizontal bar is overlaid on the water splash.

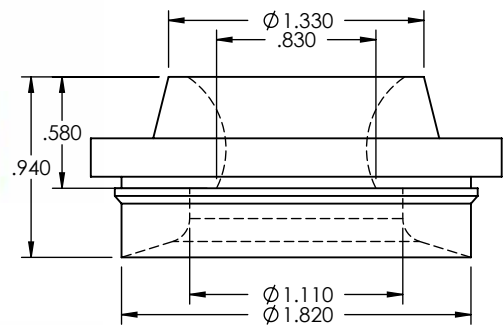
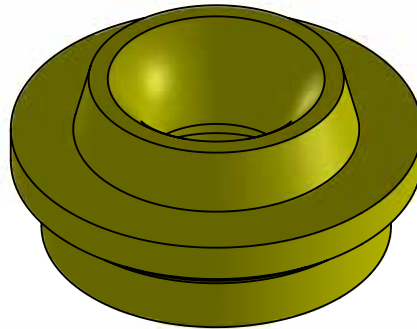
CROWN CENTURY

Part No.:	USN-CRC-28
Description:	28mm high flow seal
Color:	Yellow
Material:	TPU 85A



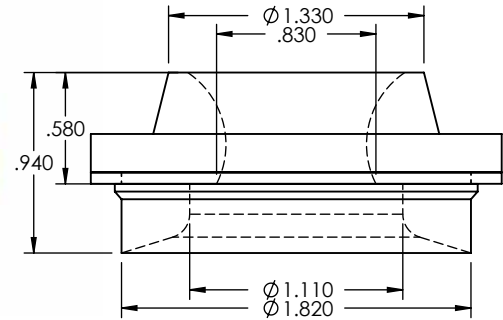
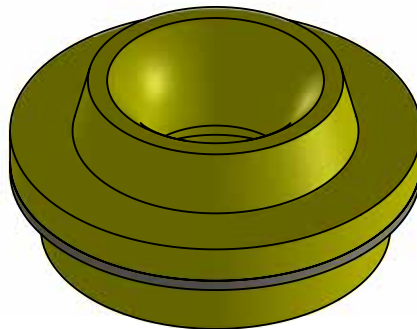
Scale 1:1

Part No.:	USN-CRC-28-1881
Description:	1881 high flow seal
Color:	Yellow
Material:	TPU 85A



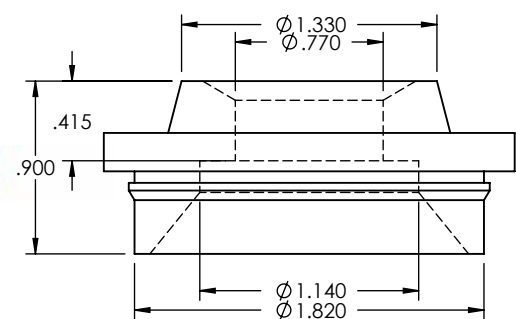
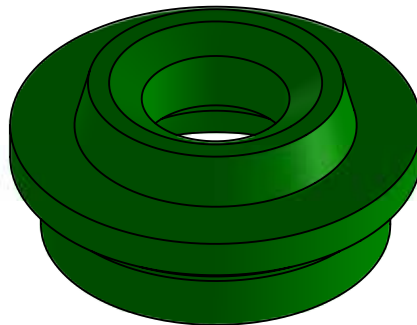
Scale 1:1

Part No.:	USN-CRC-28-1881-SS
Description:	1881 high flow seal w/s collar
Color:	Yellow
Material:	TPU 85A

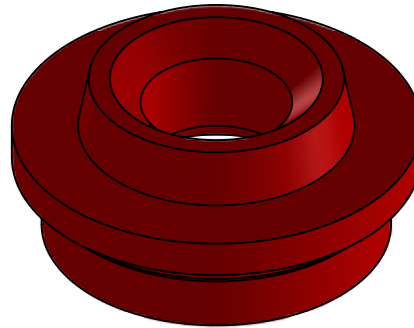
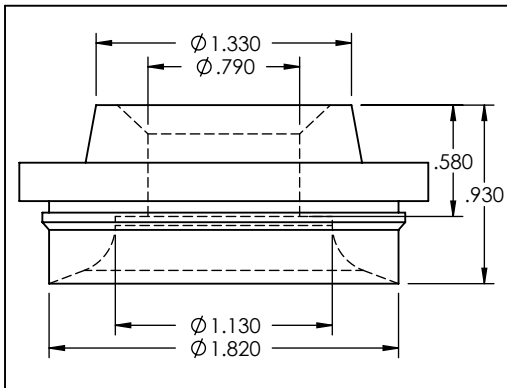


Scale 1:1

Part No.:	USN-CRC-2878
Description:	28mm standard flow
Color:	Green
Material:	TPU 85A

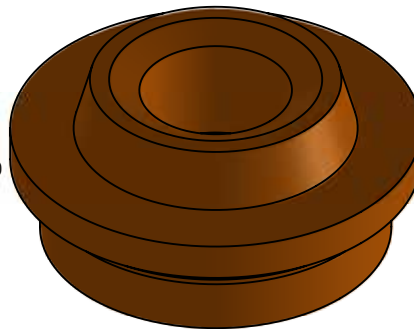
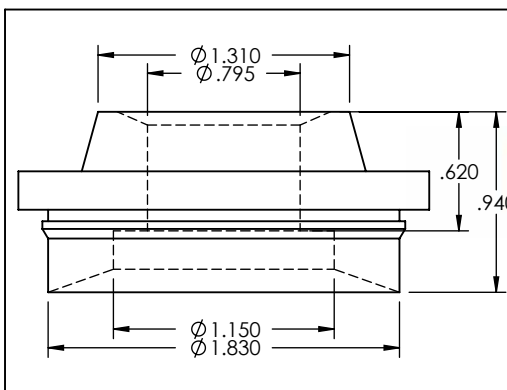


Scale 1:1



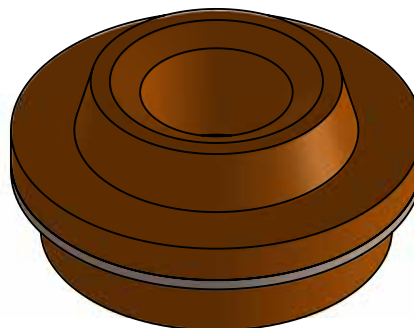
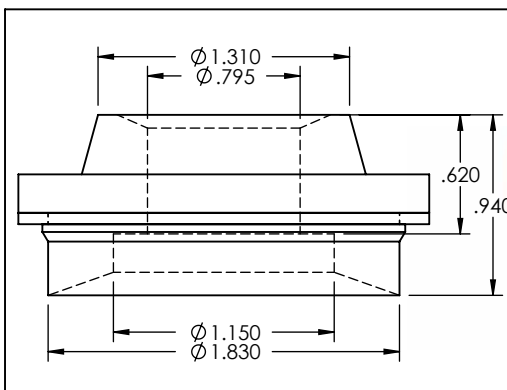
Part No.:	USN-CRC-2878-1881
Description:	28mm crown century seal
Color:	Red
Material:	TPU 85A

Scale 1:1



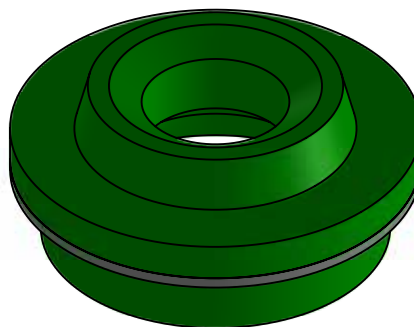
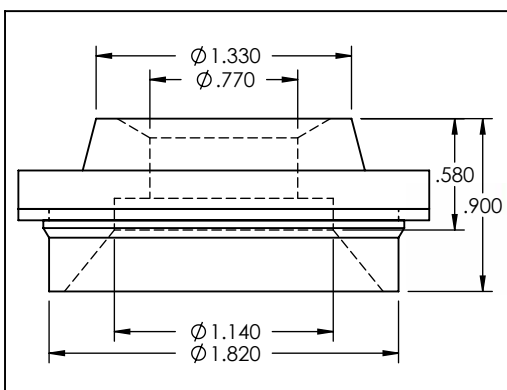
Part No.:	USN-CRC-2878-PTOC
Description:	28mm standard flow PTOC
Color:	Orange
Material:	TPU 85A

Scale 1:1



Part No.:	USN-CRC-2878-PTOC-SS
Description:	Standard flow PTOC w/s.s collar
Color:	Orange
Material:	TPU 85A

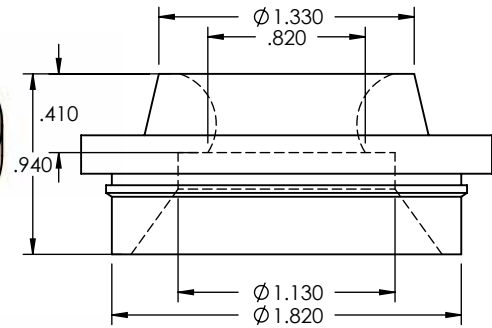
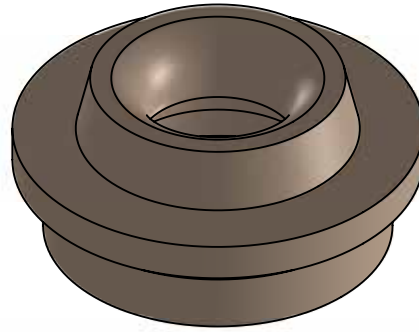
Scale 1:1



Part No.:	USN-CRC-2878-SS
Description:	28mm standard flow w/s.s collar
Color:	Green
Material:	TPU 85A

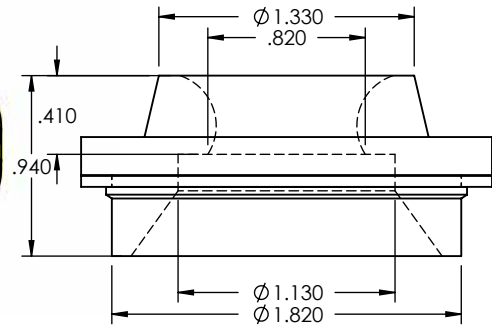
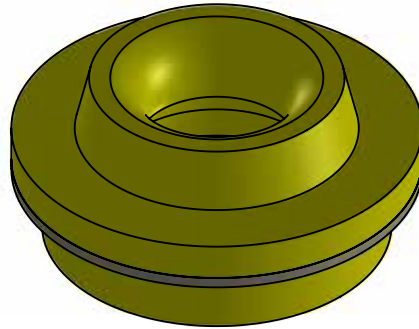
Scale 1:1

Part No.:	USN-CRC-28N
Description:	Natural 28mm high flow
Color:	Natural
Material:	TPU 85A



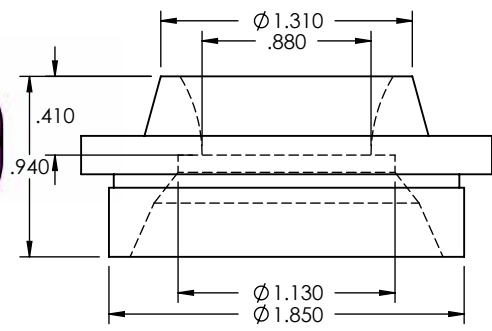
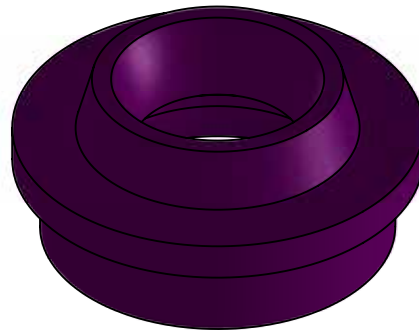
Scale 1:1

Part No.:	USN-CRC-28SS
Description:	28mm high flow seal w/s.s collar
Color:	Yellow
Material:	TPU 85A



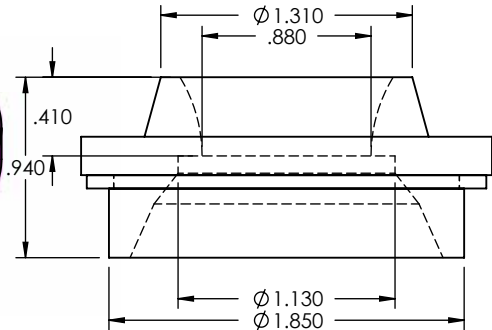
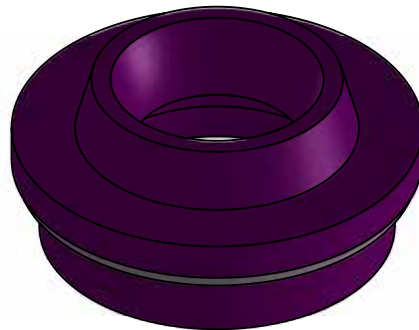
Scale 1:1

Part No.:	USN-CRC-2B
Description:	28/38mm combo seal
Color:	Purple
Material:	TPU 85A



Scale 1:1

Part No.:	USN-CRC-2BSS
Description:	28/38mm combo seal w/s.s collar
Color:	Purple
Material:	TPU 85A



Scale 1:1

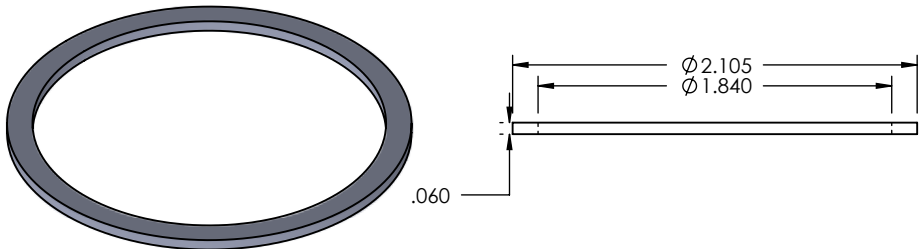
	Part No.:	USN-CRC-38
	Description:	38mm high flow
	Color:	Blue
	Material:	TPU 85A
Scale 1:1		

	Part No.:	USN-CRC-38SS
	Description:	38mm high flow w/s.s collar
	Color:	Blue
	Material:	TPU 85A
Scale 1:1		

	Part No.:	USN-CRC-BRIG-628
	Description:	28mm long throat
	Color:	Natural
	Material:	TPE 80A
Scale 1:1		

	Part No.:	USN-CRC-BRIG-628-SS
	Description:	28mm long throat w/s.s collar
	Color:	Natural
	Material:	TPE 80A
Scale 1:1		

Part No.:	USN-CRC-SS
Description:	s.s collar for century seal
Color:	N/A
Material:	Stainless steel



Scale 1:1

Part No.:	-
Description:	-
Color:	-
Material:	-

YOUR CUSTOM PART HERE

Part No.:	-
Description:	-
Color:	-
Material:	-

YOUR CUSTOM PART HERE

Part No.:	-
Description:	-
Color:	-
Material:	-

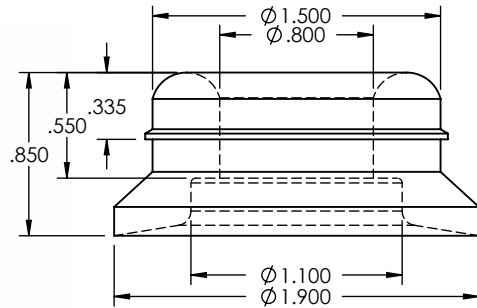
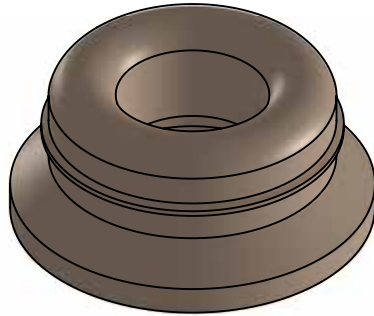
OUR CATALOGUE IS EVOLVING, IF YOU DON'T SEE YOUR COMPONENT CONTACT US FOR AVAILABILITY

A dynamic splash of water in shades of blue and white, moving from left to right across the middle of the page. The water is captured in mid-air, creating a sense of motion and freshness.

CROWN FILLER COMPONENTS

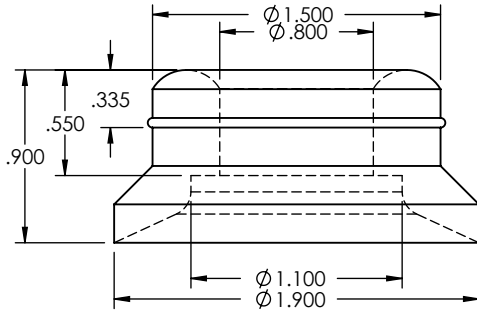
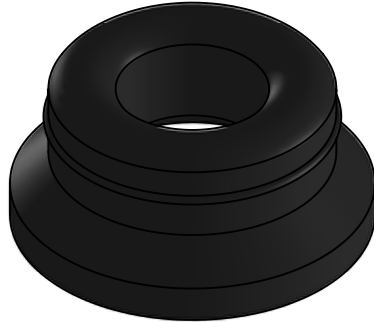
CROWN FILLER COMPONENTS

Part No.:	USN-4437
Description:	14mm M5 PTOC
Color:	Beige
Material:	TPU 80A



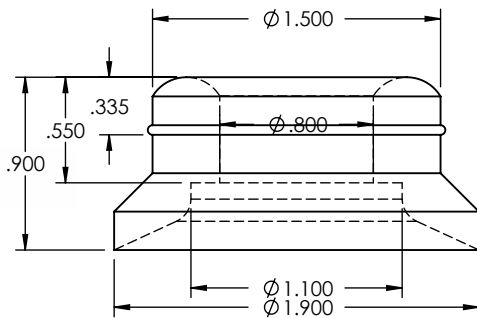
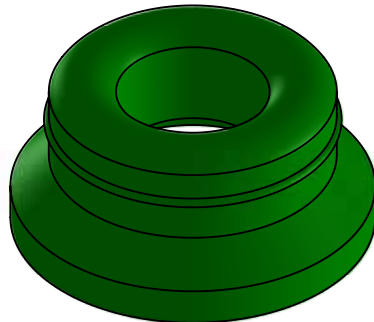
Scale 1:1

Part No.:	USN-4437-1881-R70B
Description:	1881 Bottle Seal
Color:	Black
Material:	TPU 70A



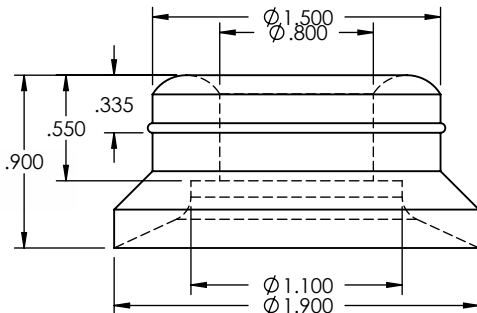
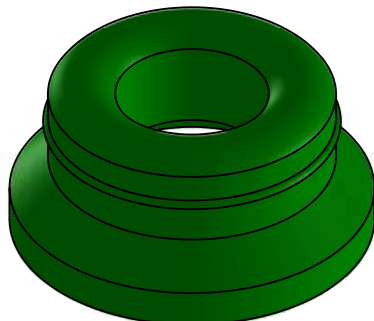
Scale 1:1

Part No.:	USN-4437-1881-R74
Description:	28mm M5 Conversion Seal
Color:	Green
Material:	TPU 70A



Scale 1:1

Part No.:	USN-4437-1881-R80
Description:	28mm M5 Conversion Seal
Color:	Green
Material:	TPU 80A



Scale 1:1

	Part No.:	USN-4485
	Description:	14mm M5 PTOC
	Color:	Light Green
	Material:	TPU 80A
		Scale 1:1

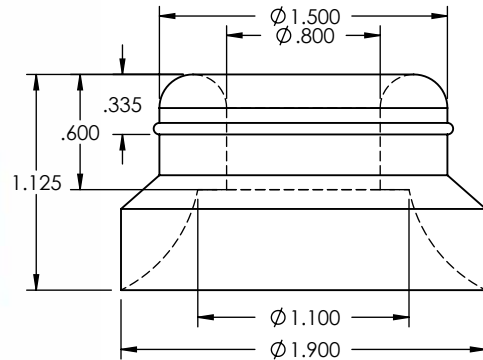
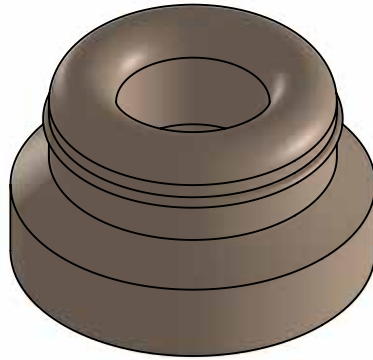
	Part No.:	USN-4485-1881-R
	Description:	Standard Flow 1881 M5
	Color:	Green
	Material:	TPU 70A
		Scale 1:1

	Part No.:	USN-4485-80A
	Description:	Crown Filler Seal
	Color:	Yellow
	Material:	TPU 80A
		Scale 1:1

	Part No.:	USN-4536
	Description:	Crown Filler Seal
	Color:	Light Blue
	Material:	TPU 80A
		Scale 1:1

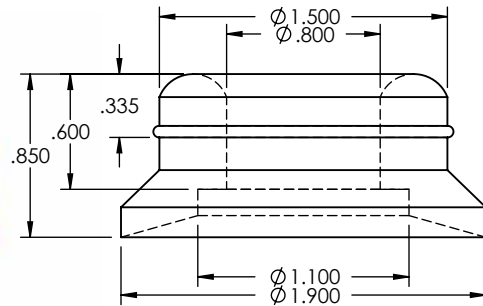
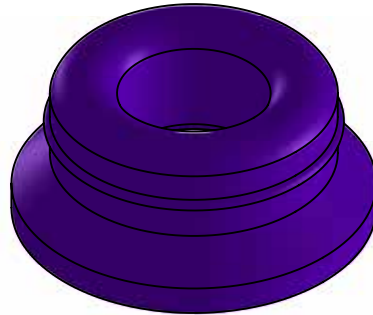
CROWN FILLER COMPONENTS

Part No.:	USN-4536-X1
Description:	Crown Seal
Color:	Beige
Material:	TPU 73A



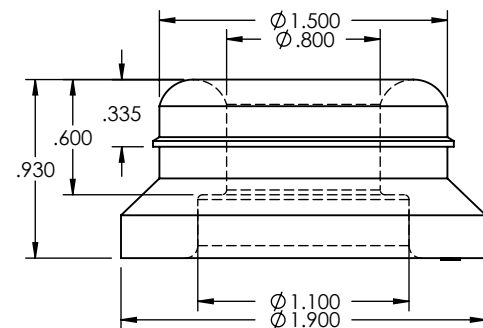
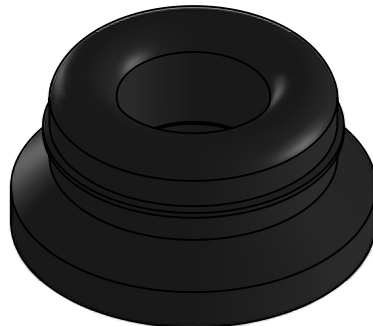
Scale 1:1

Part No.:	USN-4537
Description:	Crown Seal
Color:	Purple
Material:	TPU 80A



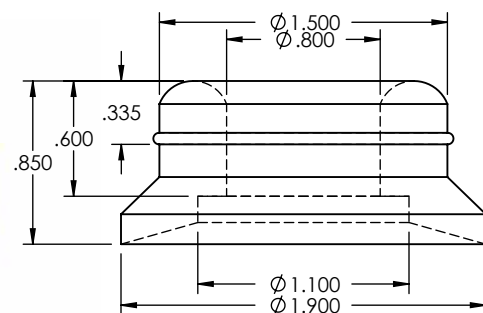
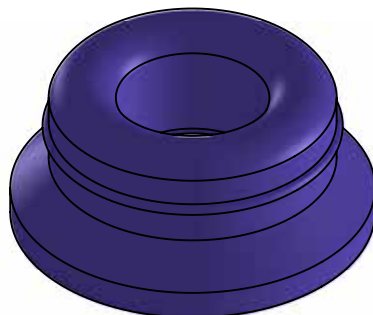
Scale 1:1

Part No.:	USN-4537-LS
Description:	Hot Sanitized Crown Seal
Color:	Black
Material:	TPU 80A



Scale 1:1

Part No.:	USN-4537-X1
Description:	Crown Seal
Color:	Light Purple
Material:	TPE 80A



Scale 1:1

	Part No.:	USN-4585
	Description:	Crown Seal 28mm PTOC
	Color:	Red
	Material:	TPU 80A
Scale 1:1		

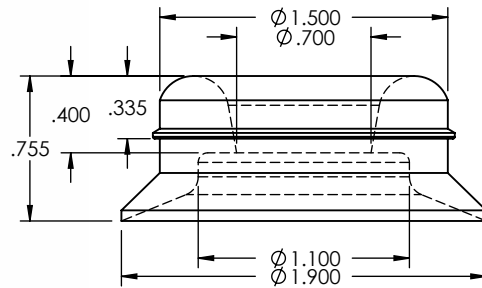
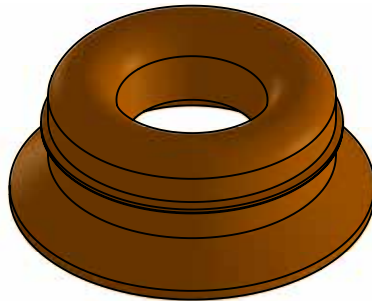
	Part No.:	USN-4870
	Description:	Gasket 271-55
	Color:	Beige
	Material:	TPE 55A
Scale 1:1		

	Part No.:	USN-5034
	Description:	28mm Standard Flow Seal
	Color:	Blue
	Material:	TPU 80A
Scale 1:1		

	Part No.:	USN-5034-01X
	Description:	28mm Standard Flow Seal
	Color:	Red
	Material:	TPE 73A
Scale 1:1		

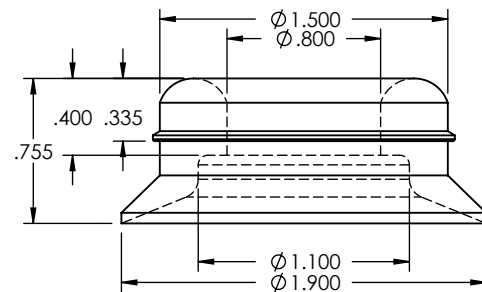
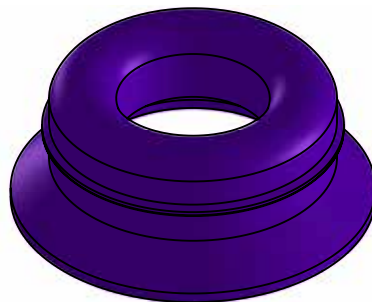
CROWN FILLER COMPONENTS

Part No.:	USN-5034-S
Description:	Crown Seal
Color:	Orange
Material:	TPU 80A



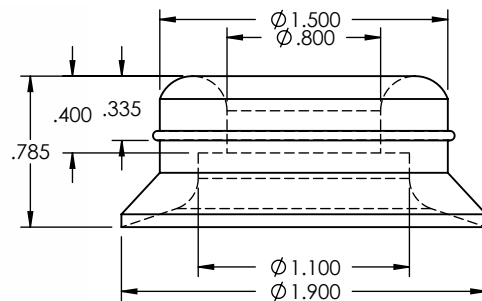
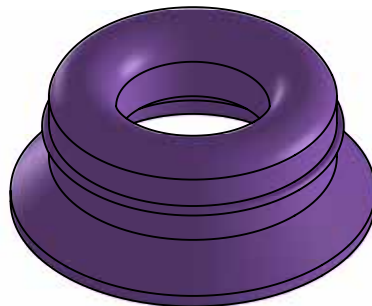
Scale 1:1

Part No.:	USN-5035
Description:	28mm Standard Flow Low Profile Seal
Color:	Purple
Material:	TPU 80A



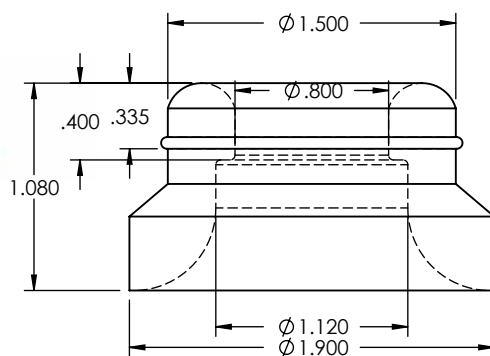
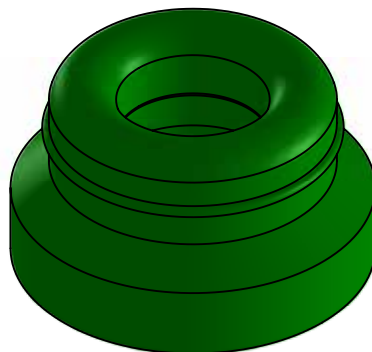
Scale 1:1

Part No.:	USN-5035-02X
Description:	28mm Low Profile Seal-S73A
Color:	Light Purple
Material:	TPE 73A



Scale 1:1

Part No.:	USN-5036
Description:	28mm High Flow Seal-881
Color:	Green
Material:	TPU 80A



Scale 1:1

	Part No.:	USN-5036-03X
	Description:	28mm High Flow Seal
	Color:	Light Green
	Material:	TPE 73A
		Scale 1:1

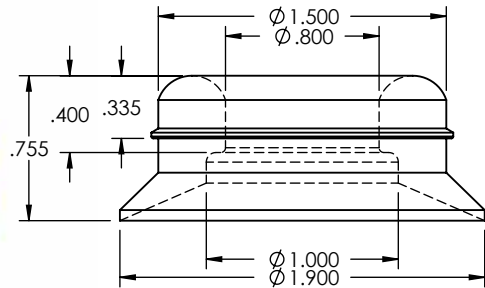
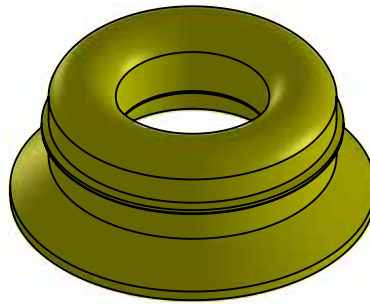
	Part No.:	USN-5036-625
	Description:	Crown Seal
	Color:	Red
	Material:	TPU 80A
		Scale 1:1

	Part No.:	USN-5036-LTFT
	Description:	High Temp Seal
	Color:	Black
	Material:	TPU 70A
		Scale 1:1

	Part No.:	USN-5036-SS
	Description:	28mm High Flow Short Skirt Seal
	Color:	Green
	Material:	TPU 80A
		Scale 1:1

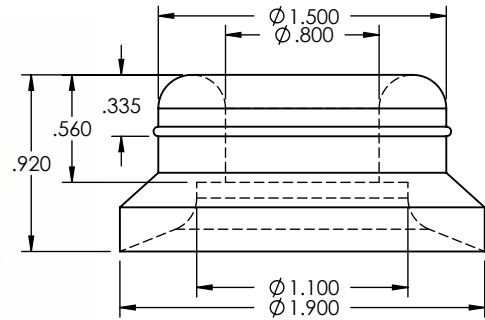
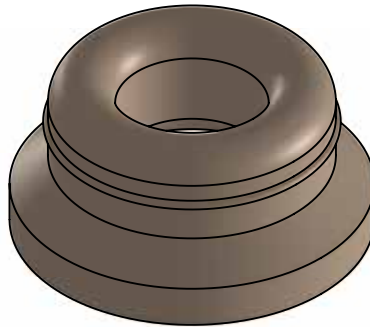
CROWN FILLER COMPONENTS

Part No.:	USN-5037
Description:	28mm High Flow Low Profile Seal
Color:	Yellow
Material:	TPU 80A



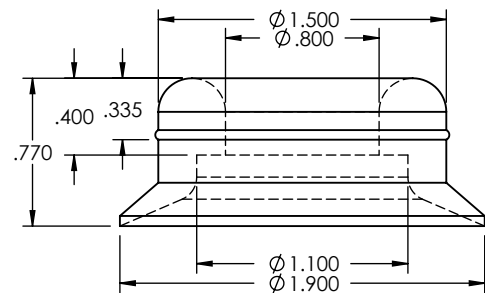
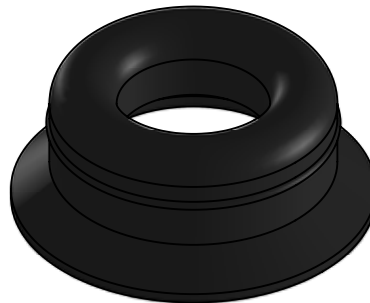
Scale 1:1

Part No.:	USN-5037-1881
Description:	Crown Seal - 1881
Color:	Beige
Material:	TPU 80A



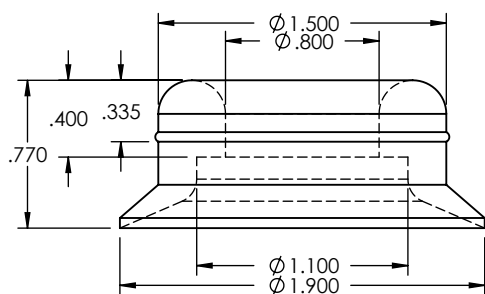
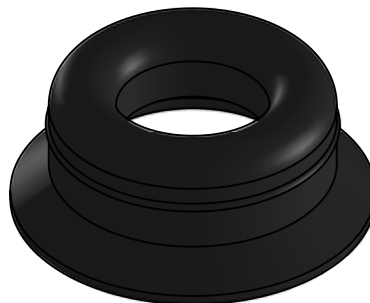
Scale 1:1

Part No.:	USN-5037-BK
Description:	Standard 5037 Seal
Color:	Black
Material:	TPU 80A



Scale 1:1

Part No.:	USN-5037-BK-S80
Description:	Standard 5037 Seal
Color:	Black
Material:	TPE 80A



Scale 1:1

		Part No.:
		USN-5037FL
		Description:
		28mm Crown Seal
		Color:
		Beige
		Material:
		TPU 80A
		Scale 1:1

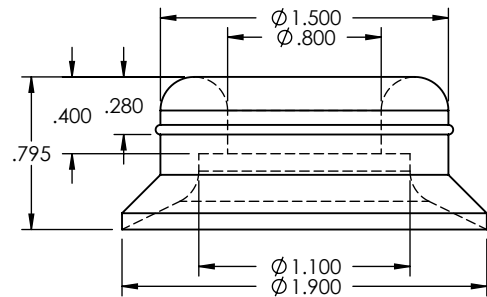
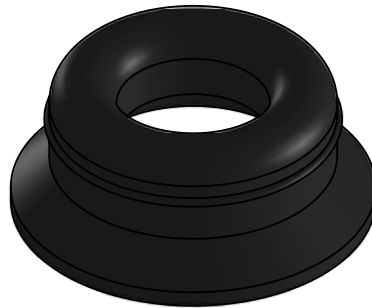
		Part No.:
		USN-5037FL-1881
		Description:
		Crown Seal, 1881
		Color:
		Beige
		Material:
		TPU 80A
		Scale 1:1

		Part No.:
		USN-5037G
		Description:
		Crown Seal w/ Lrg. O-Ring
		Color:
		Green
		Material:
		TPU 80A
		Scale 1:1

		Part No.:
		USN-5037G-70
		Description:
		28mm Crown Seal for Universal Valve
		Color:
		Beige
		Material:
		TPU 70A
		Scale 1:1

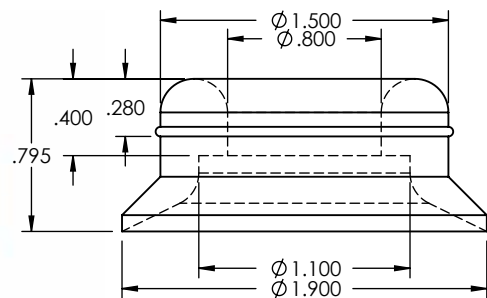
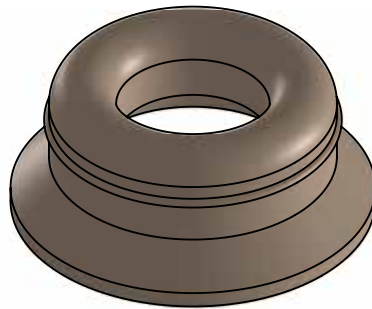
CROWN FILLER COMPONENTS

Part No.:	USN-5037G-85
Description:	28mm Crown Seal for Universal Valve
Color:	Black
Material:	TPU 85A



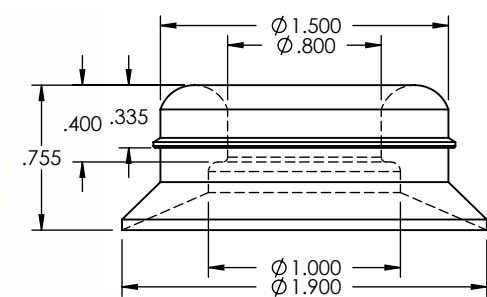
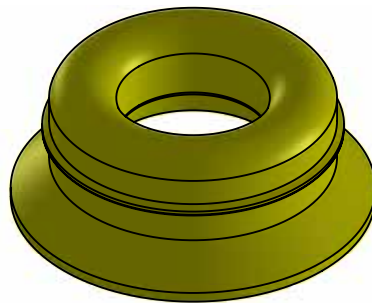
Scale 1:1

Part No.:	USN-5037GB
Description:	Crown Seal
Color:	Beige
Material:	TPU 80A



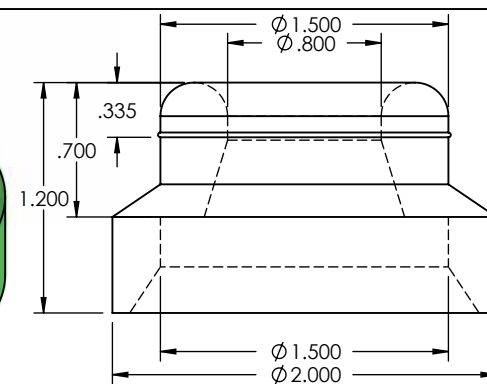
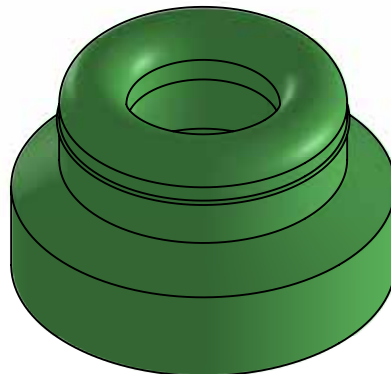
Scale 1:1

Part No.:	USN-5037-X1
Description:	Standard 5037 Seal
Color:	Yellow
Material:	TPE 80A

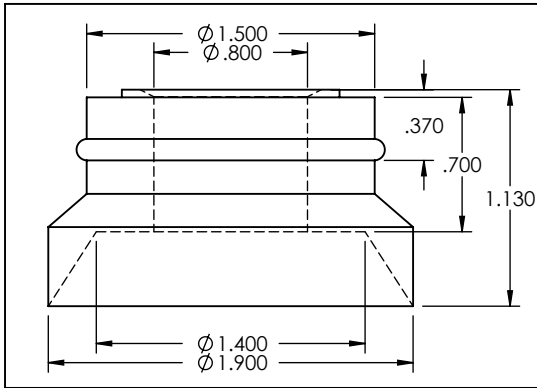


Scale 1:1

Part No.:	USN-5038
Description:	38mm Crown Filler Seal
Color:	Light Green
Material:	TPU 80A

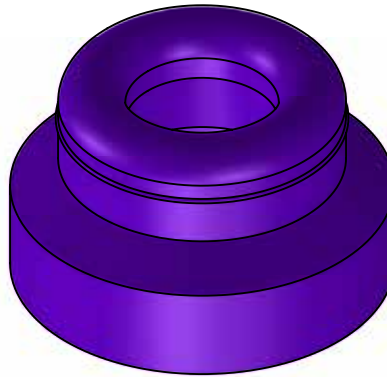
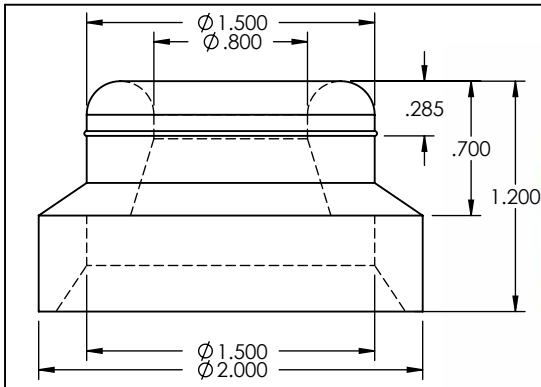


Scale 1:1



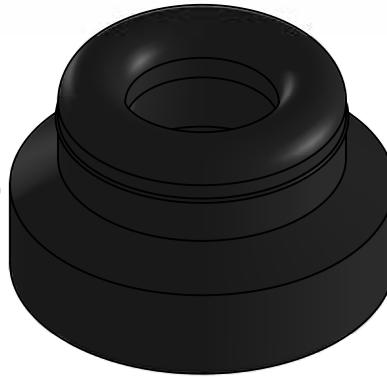
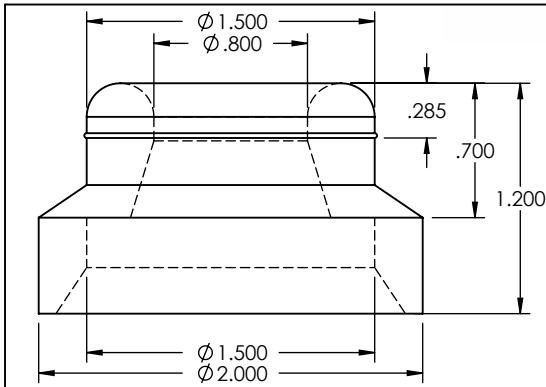
Part No.:	USN-5038-CP
Description:	38mm Crown Seal 171
Color:	Black
Material:	TPE 80A

Scale 1:1



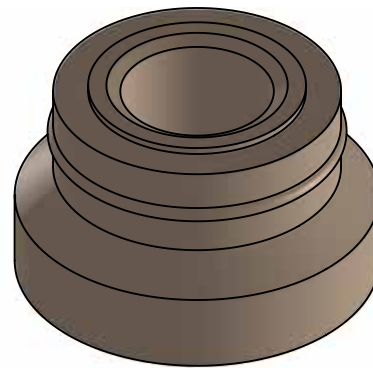
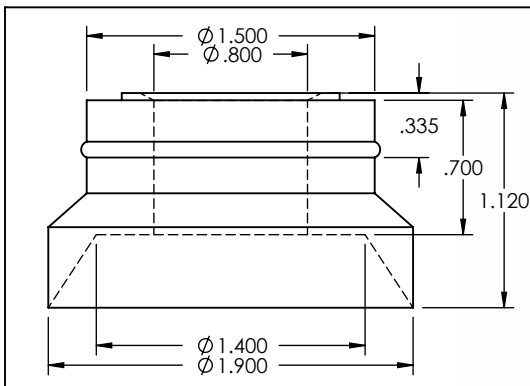
Part No.:	USN-5038-P
Description:	38mm Crown Seal
Color:	Purple
Material:	TPU 80A

Scale 1:1



Part No.:	USN-5038-PS
Description:	One Piece Cup & Seal/38mm
Color:	Black
Material:	TPU 85A

Scale 1:1

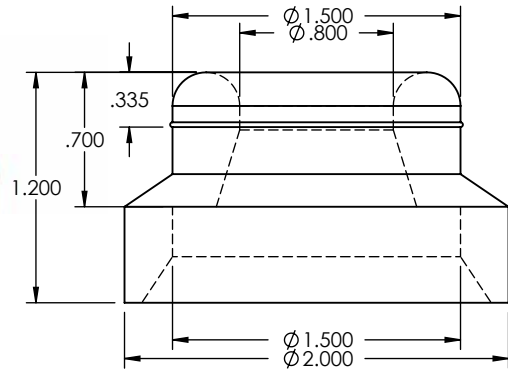
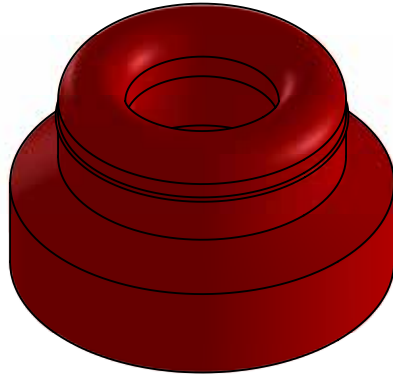


Part No.:	USN-5038-PS-B
Description:	One Piece Cup & Seal/38mm
Color:	Beige
Material:	TPE 80A

Scale 1:1

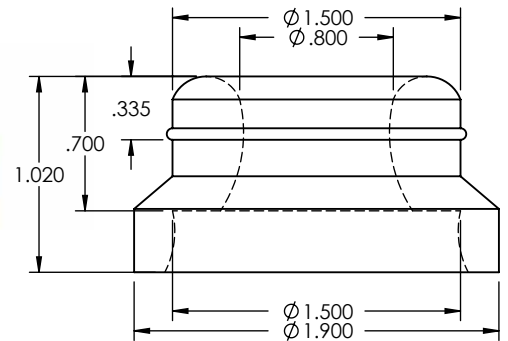
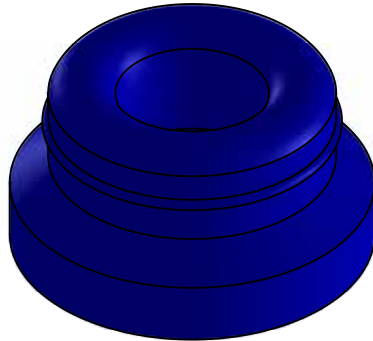
CROWN FILLER COMPONENTS

Part No.:	USN-5038R
Description:	38mm Crown Seal
Color:	Red
Material:	TPU 80A



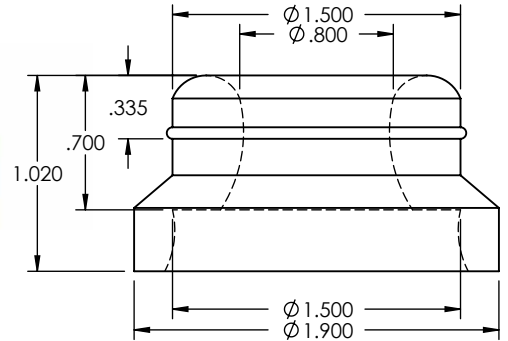
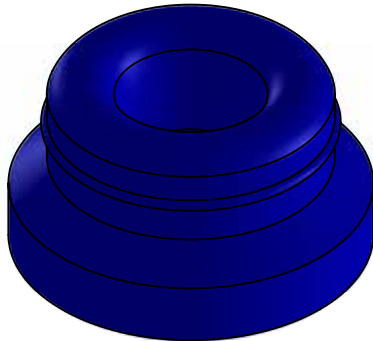
Scale 1:1

Part No.:	USN-5039
Description:	38mm High Flow Seal
Color:	Blue
Material:	TPU 80A



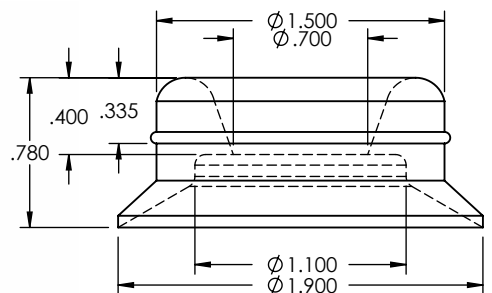
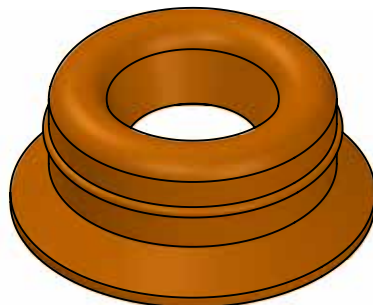
Scale 1:1

Part No.:	USN-5039-05X
Description:	38mm High Flow Seal
Color:	Blue
Material:	TPE 73A



Scale 1:1

Part No.:	USN-5685
Description:	Crown Seal
Color:	Orange
Material:	TPU 80A



Scale 1:1

		Part No.: USN-5685-70A
		Description: Crown Seal
		Color: Beige
		Material: TPU 70A
		Scale 1:1

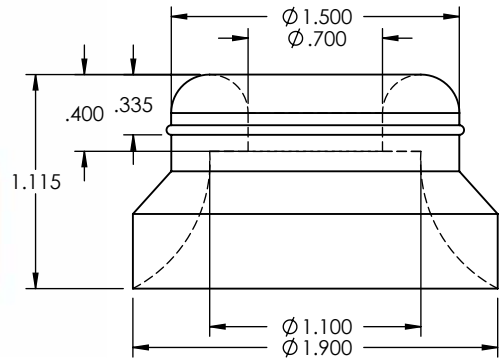
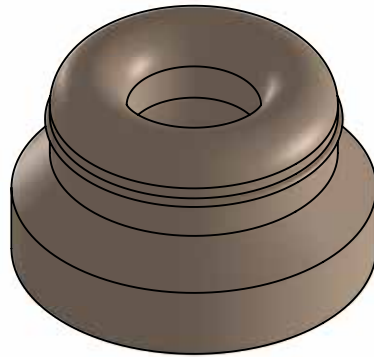
		Part No.: USN-5685-73A
		Description: Crown Seal
		Color: Orange
		Material: TPE 73A
		Scale 1:1

		Part No.: USN-5685-G
		Description: Crown Seal
		Color: Green
		Material: TPU 80A
		Scale 1:1

		Part No.: USN-5685-LS
		Description: Crown Seal
		Color: Beige
		Material: TPU 80A
		Scale 1:1

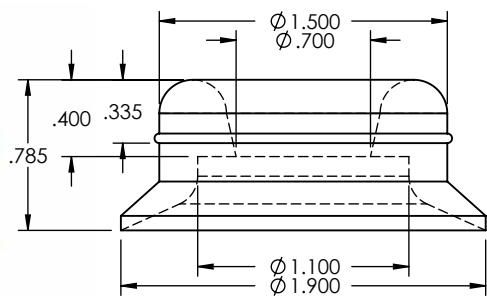
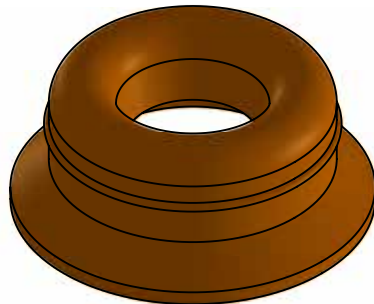
CROWN FILLER COMPONENTS

Part No.:	USN-5685-LS-73A
Description:	Crown Seal
Color:	Beige
Material:	TPU 73A



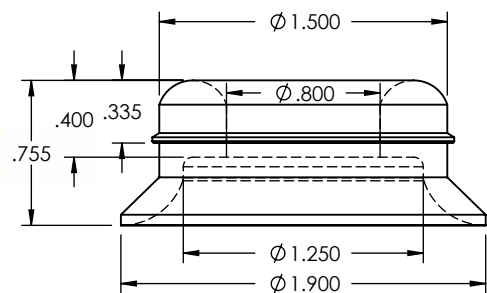
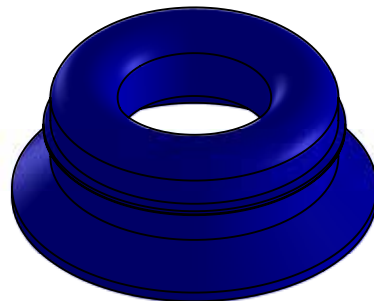
Scale 1:1

Part No.:	USN-5685-X1
Description:	Crown Seal
Color:	Orange
Material:	TPE 80A



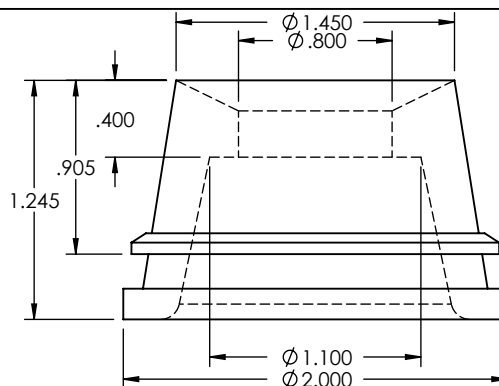
Scale 1:1

Part No.:	USN-ABS-30
Description:	30mm seal
Color:	Blue
Material:	TPU 80A

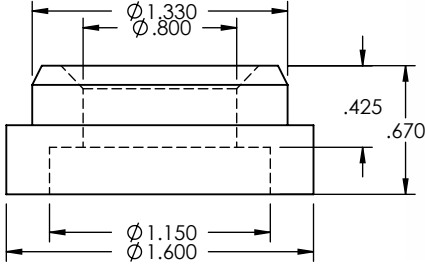
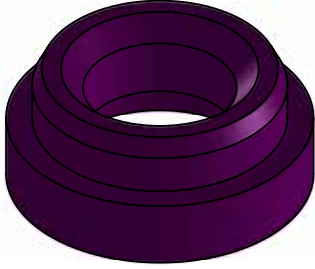


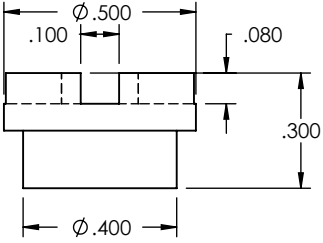
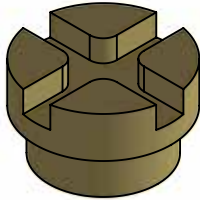
Scale 1:1

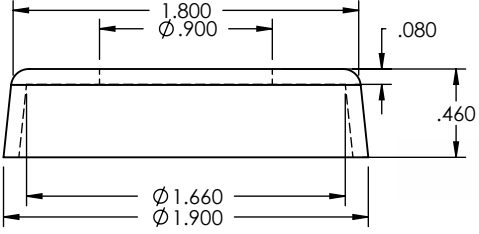
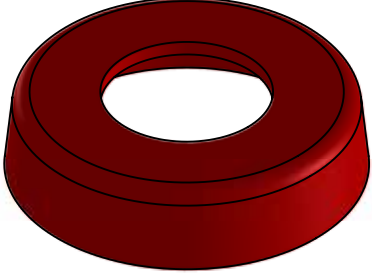
Part No.:	USN-CR-CCS
Description:	Centering Cup seal
Color:	Black
Material:	TPU 70A

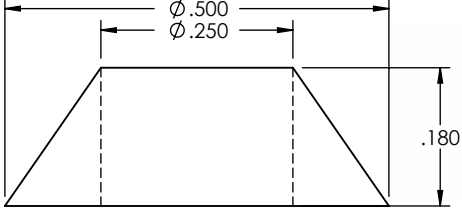
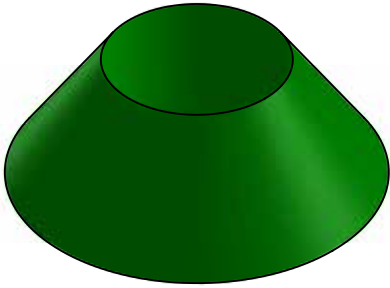


Scale 1:1

		Part No.:	USN-CR-CIP
		Description:	Crown CIP Replacement Seal
		Color:	Purple
		Material:	TPU 85A
		Scale 1:1	

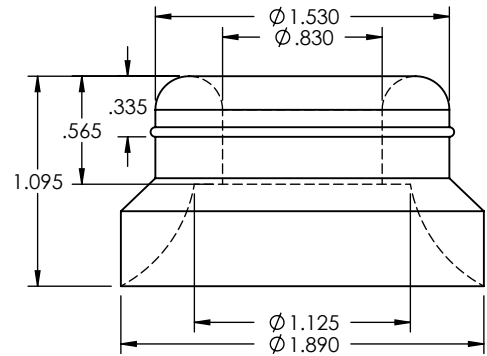
		Part No.:	USN-CR-CPS
		Description:	Crown Counter Pressure Seal
		Color:	Beige
		Material:	TPE 80A
		Scale 2:1	

		Part No.:	USN-CR-IBSC
		Description:	Infeed Bottle Stop Cup
		Color:	Red
		Material:	TPU 70A
		Scale 1:1	

		Part No.:	USN-CR-LSP
		Description:	Crown Liquid Spreader
		Color:	Green
		Material:	TPU 70A
		Scale 4:1	

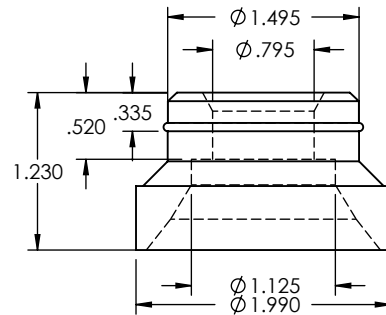
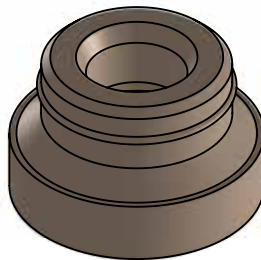
CROWN FILLER COMPONENTS

Part No.:	USN-4436
Description:	Crown seal
Color:	Black
Material:	TPU 80A



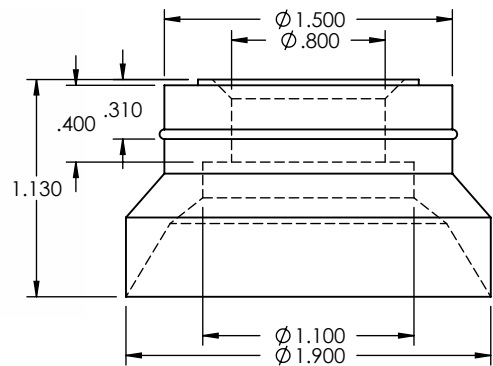
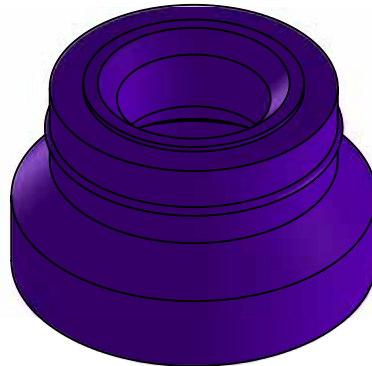
Scale 1:1

Part No.:	USN-5036-LTFT-1881
Description:	Crown seal
Color:	Beige
Material:	TPU 70A



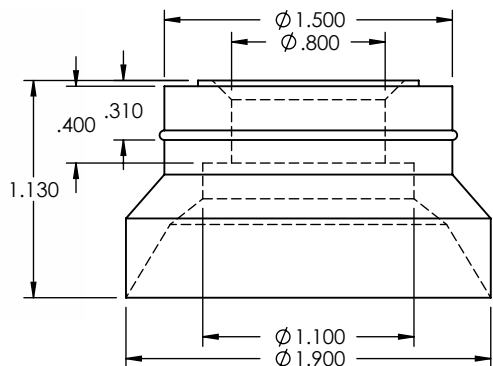
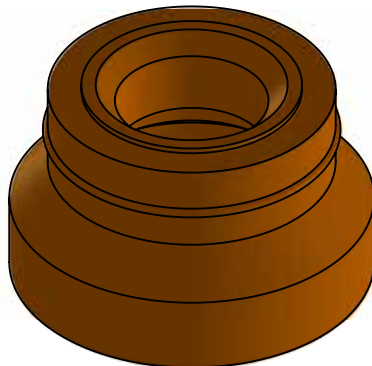
Scale 1:1.5

Part No.:	USN-PJPA-2B
Description:	2-Bottle Seal
Color:	Purple
Material:	TPU 80A



Scale 1:1

Part No.:	USN-PJPA-2BO
Description:	2-Bottle Seal
Color:	Orange
Material:	TPU 70A



Scale 1:1

	Part No.:	USN-CR-VS
	Description:	Crown seal
	Color:	Beige
	Material:	TPE 73A
	Scale 1.5:1	

YOUR CUSTOM PART HERE	Part No.:	-
	Description:	-
	Color:	-
	Material:	-

YOUR CUSTOM PART HERE	Part No.:	-
	Description:	-
	Color:	-
	Material:	-

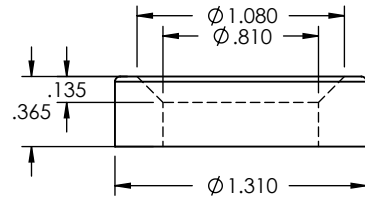
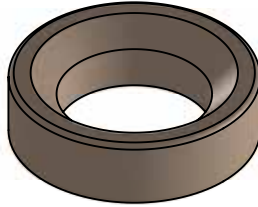
OUR CATALOGUE IS EVOLVING, IF YOU DON'T SEE YOUR COMPONENT CONTACT US FOR AVAILABILITY	Part No.:	-
	Description:	-
	Color:	-
	Material:	-

A dynamic splash of water in shades of blue and white, moving from left to right across the middle of the page. The water is captured in mid-air, with droplets and ripples visible.

CROWN UNIBLEND COMPONENTS

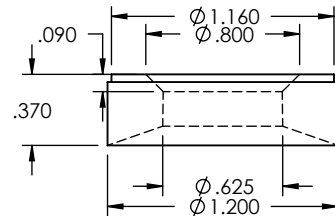
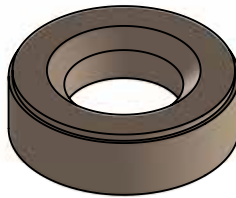
CROWN UNIBLEND COMPONENTS

Part No.:	USN-UB-12
Description:	Uni-blend seal
Color:	Beige
Material:	TPU 85A



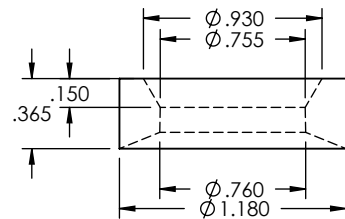
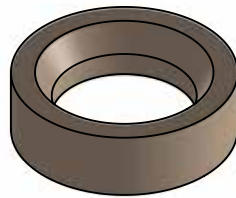
Scale 1:1

Part No.:	USN-UB-13
Description:	Uni-blend seal
Color:	Beige
Material:	TPU 80A



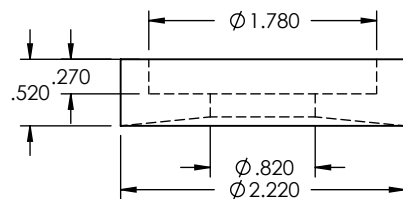
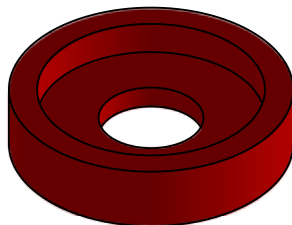
Scale 1:1

Part No.:	USN-UB-14
Description:	Uni-blend seal
Color:	Beige
Material:	TPU 80A

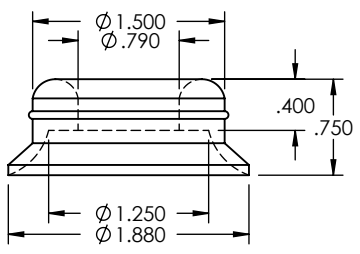
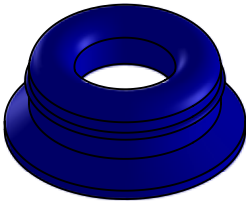


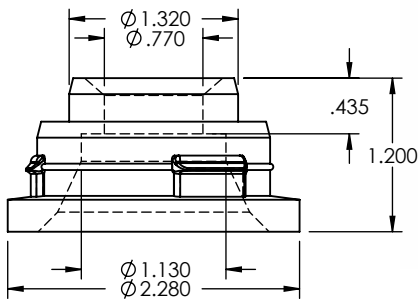
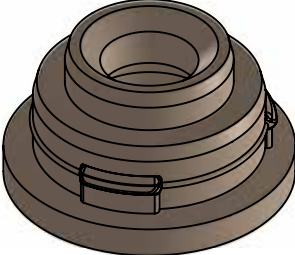
Scale 1:1

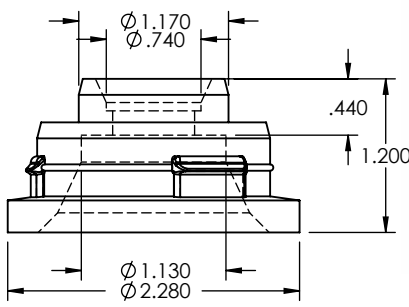
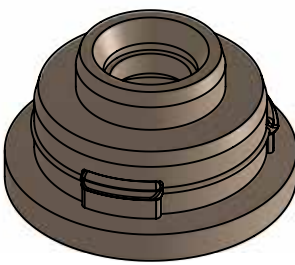
Part No.:	USN-UB-M6
Description:	Uni-blend seal
Color:	Red
Material:	TPU 70A

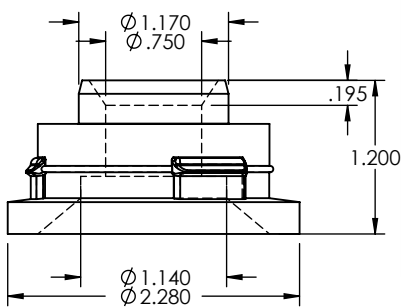
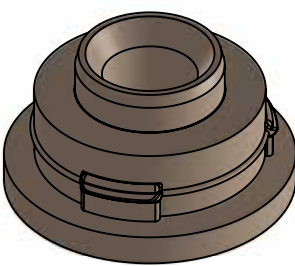


Scale 1:1.5

		Part No.:	USN-UB-PV30
		Description:	Uni-blend crown seal
		Color:	Blue
		Material:	TPU 75A
			Scale 1:1.5

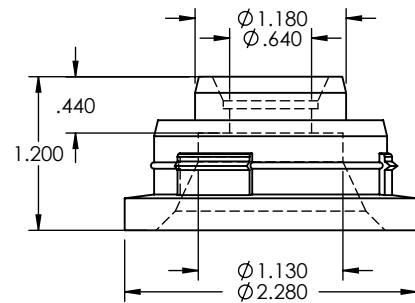
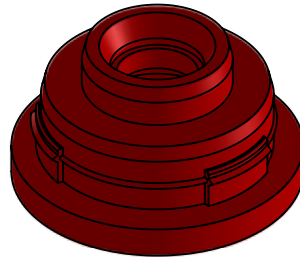
		Part No.:	USN-UNI-10
		Description:	Uni-blend seal
		Color:	Beige
		Material:	TPU 85A
			Scale 1:1.5

		Part No.:	USN-UNI-12
		Description:	Uni-blend seal
		Color:	Beige
		Material:	TPU 85A
			Scale 1:1.5

		Part No.:	USN-UNI-12-PTOC
		Description:	Uni-blend PTOC seal
		Color:	Beige
		Material:	TPU 90A
			Scale 1:1.5

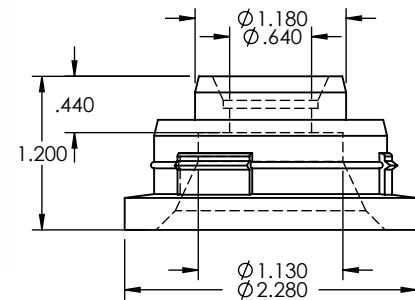
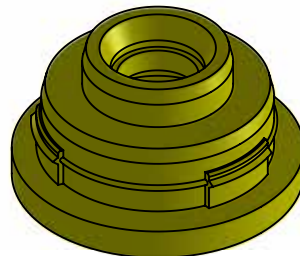
CROWN UNIBLEND COMPONENTS

Part No.:	USN-UNI-12R
Description:	Uni-blend seal
Color:	Red
Material:	TPU 85A



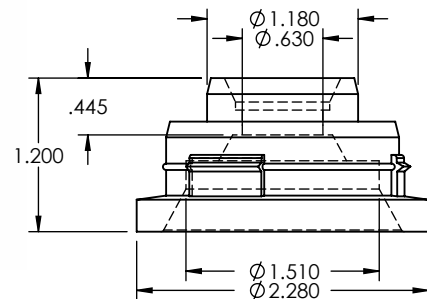
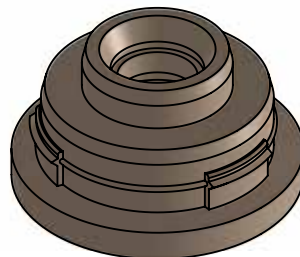
Scale 1:1.5

Part No.:	USN-UNI-12Y
Description:	Uni-blend seal
Color:	Yellow
Material:	TPU 85A



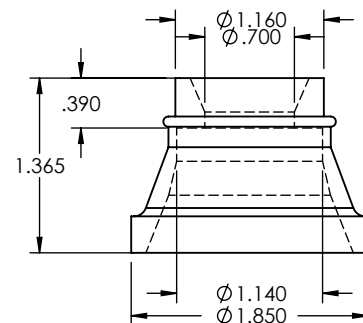
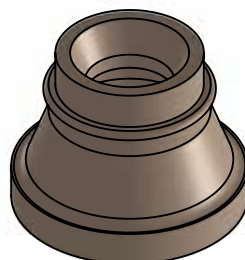
Scale 1:1.5

Part No.:	USN-UNI-15S
Description:	Uni-blend seal
Color:	Beige
Material:	TPU 85A



Scale 1:1.5

Part No.:	USN-UNI-16
Description:	Uni-blend seal
Color:	Beige
Material:	TPU 80A



Scale 1:1.5

	Part No.:	USN-UNI-20
	Description:	Uni-blend seal
	Color:	Beige
	Material:	TPU 85A
Scale 1:1.5		

	Part No.:	USN-UNI-20-PTOC
	Description:	Uni-blend PTOC seal
	Color:	Beige
	Material:	TPU 85A
Scale 1:1.5		

	Part No.:	USN-UNI-18-HF-38-3
	Description:	Uni-blend 38mm
	Color:	Beige
	Material:	TPU 85A
Scale 1:1.5		

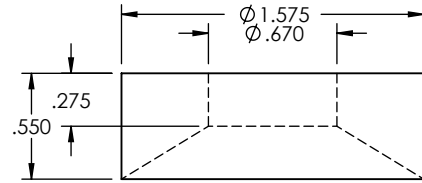
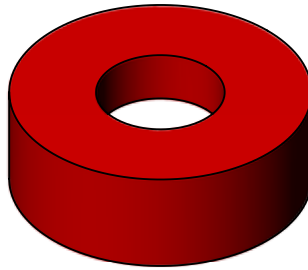
<p>OUR CATALOGUE IS EVOLVING, IF YOU DON'T SEE YOUR COMPONENT CONTACT US FOR AVAILABILITY</p>	Part No.:	-
	Description:	-
	Color:	-
	Material:	-
		-



GAI FILLER COMPONENTS

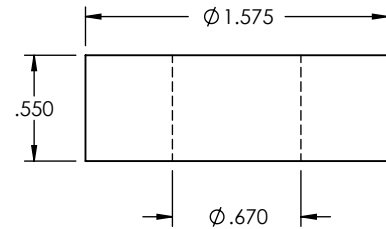
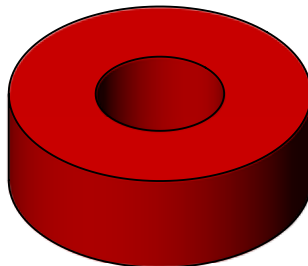
GAI FILLER COMPONENTS

Part No.:	USN-GAI-IS
Description:	Insert seal
Color:	Red
Material:	TPU 60A



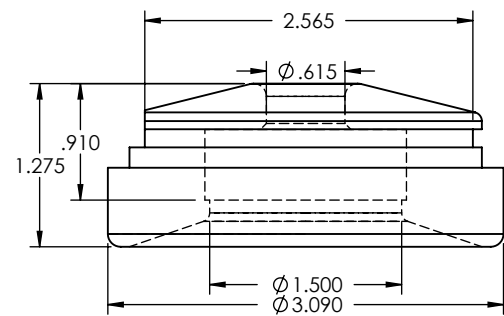
Scale 1:1

Part No.:	USN-GAI-IS-FLAT
Description:	Insert seal
Color:	Red
Material:	TPU 60A



Scale 1:1

Part No.:	USN-GAI-CC
Description:	Centering cup
Color:	Black
Material:	Delrin



Scale 1:1.5

Part No.:	-
Description:	-
Color:	-
Material:	-

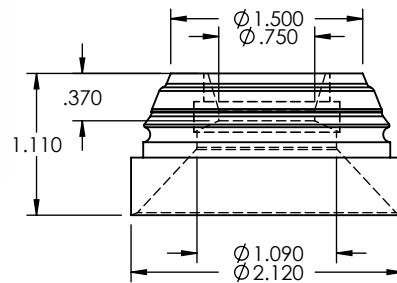
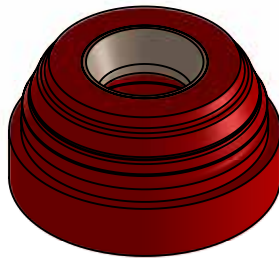
OUR CATALOGUE IS EVOLVING, IF YOU DON'T SEE YOUR COMPONENT CONTACT US FOR AVAILABILITY



H & K COMPONENTS

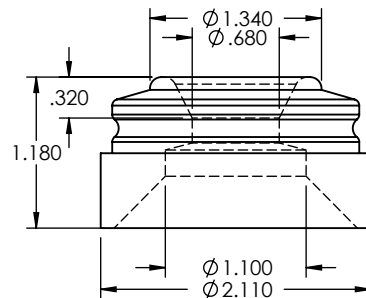
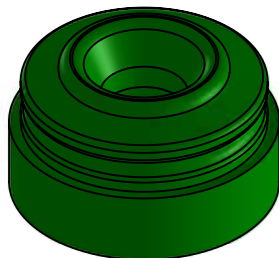
H & K COMPONENTS

Part No.:	USN-HK-ABJ
Description:	Red one piece centering cup
Color:	Red
Material:	TPU 74D



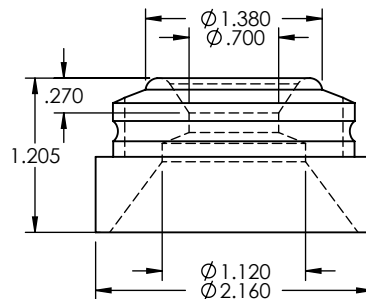
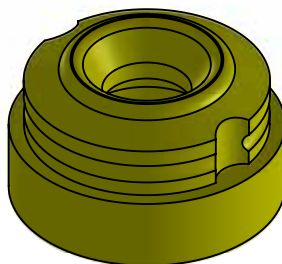
Scale 1:1.5

Part No.:	USN-HK-1090-M
Description:	H&K seal
Color:	Green
Material:	TPU 85A



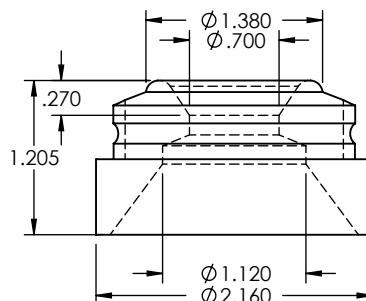
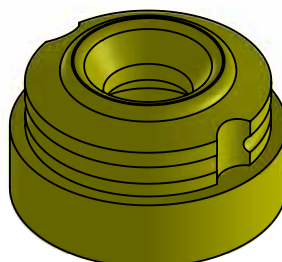
Scale 1:1.5

Part No.:	USN-HK-1100-58863
Description:	H&K cup & seal
Color:	Yellow
Material:	TPU 85A

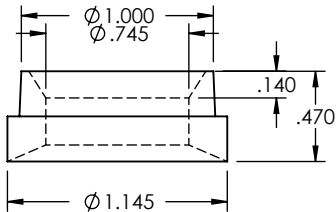
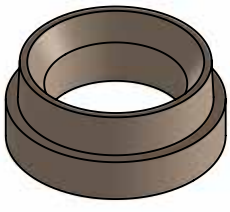


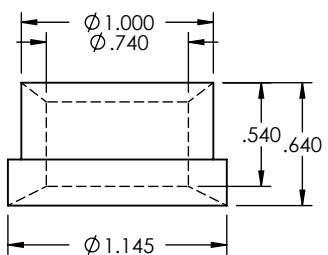
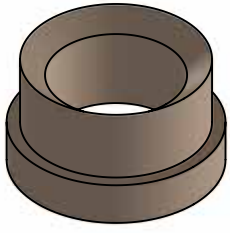
Scale 1:1.5

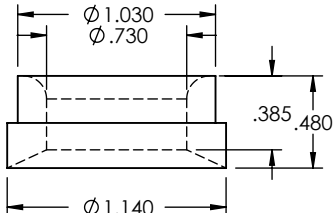
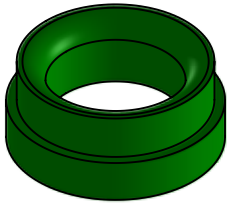
Part No.:	USN-HK-1100-M
Description:	H&K cup & seal
Color:	Yellow
Material:	TPU 85A

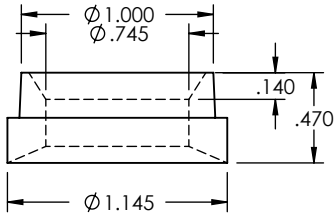
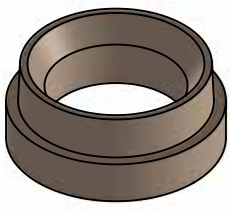


Scale 1:1.5

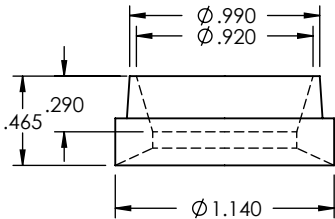
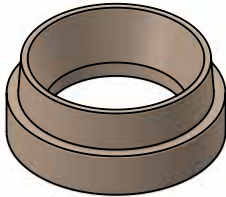
		Part No.: USN-HK-12
		Description: H&K seal
		Color: Beige
		Material: TPU 80A
		Scale 1:1

		Part No.: USN-HK-12+5
		Description: H&K seal
		Color: Beige
		Material: TPU 80A
		Scale 1:1

		Part No.: USN-HK-120R
		Description: H&K seal
		Color: Green
		Material: TPU 80A
		Scale 1:1

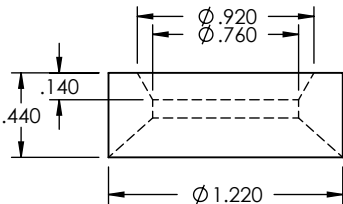
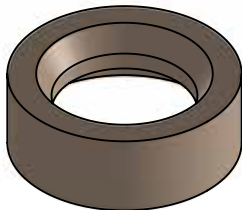
		Part No.: USN-HK-12-70
		Description: H&K bell seal
		Color: Beige
		Material: TPU 70A
		Scale 1:1

Part No.:	USN-HK-14
Description:	H&K bell seal
Color:	Beige
Material:	TPU 80A



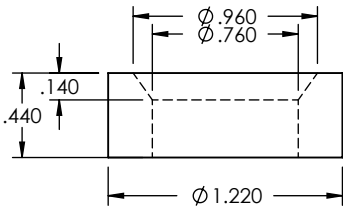
Scale 1:1

Part No.:	USN-HK-18
Description:	H&K bell seal
Color:	Black
Material:	TPU 80A



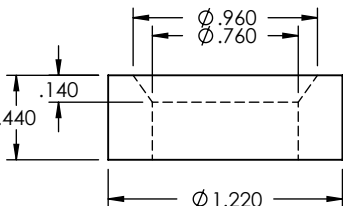
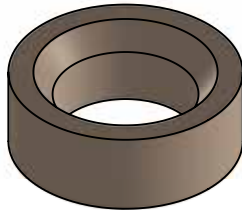
Scale 1:1

Part No.:	USN-HK-22MM
Description:	H&K insert seal
Color:	Black
Material:	TPU 80A



Scale 1:1

Part No.:	USN-HK-22MMB
Description:	H&K insert seal
Color:	Beige
Material:	TPU 80A



Scale 1:1

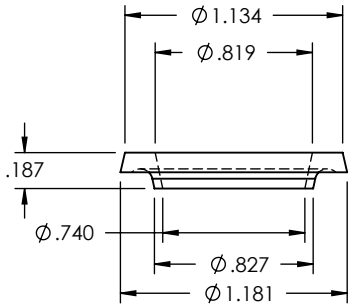
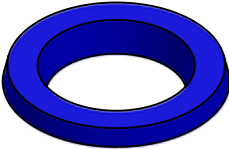
		Part No.:
		USN-HK-MTE14
		Description:
		H&K 2pc. cup&seal
		Color:
		Green&Beige
		Material:
		TPU
		Scale 1:1.5

		Part No.:
		USN-HK-276
		Description:
		H&K tulip bell
		Color:
		Black
		Material:
		Delrin
		Note: can be combined with USN-HK-22MM or USN-HK-18 for assembly applications
		Scale 1:1.5

		Part No.:
		USN-HK-276-120
		Description:
		H&K tulip bell with 1.12" throat
		Color:
		Black
		Material:
		Delrin
		Note: can be combined with USN-HK-22MM or USN-HK-18 for assembly applications
		Scale 1:1.5

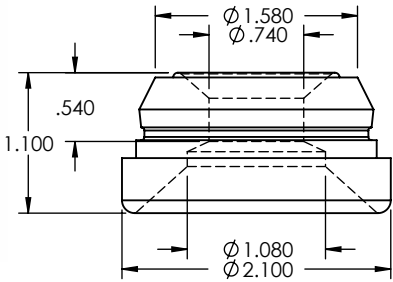
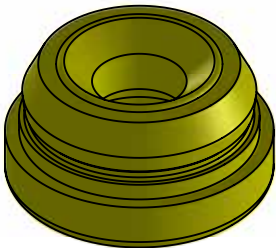
		Part No.:
		USN-HK-3400368
		Description:
		PVDF H&K centering bushing
		Color:
		White
		Material:
		Delrin
		Scale 1:1

Part No.:	USN-HK-394-014
Description:	Gasket seal
Color:	Blue
Material:	TPU 80A



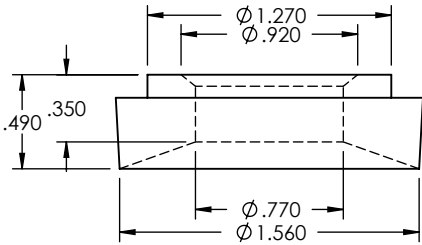
Scale 1:1

Part No.:	USN-HK-ML1070
Description:	Yellow modified H&K cup&seal
Color:	Yellow
Material:	TPU 90A



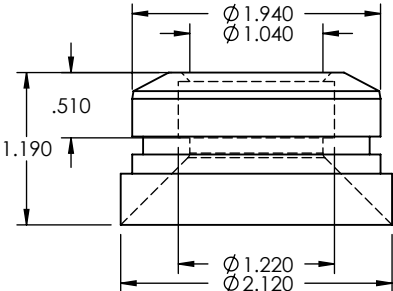
Scale 1:1.5

Part No.:	USN-HK-394014-S73
Description:	Gasket seal
Color:	Black
Material:	TPE 73A



Scale 1:1

Part No.:	USN-HK-8430
Description:	H&K cup
Color:	Black
Material:	TPU 74D



Scale 1:1.5

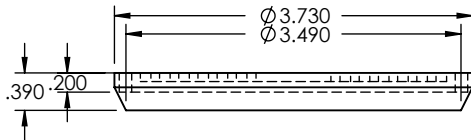
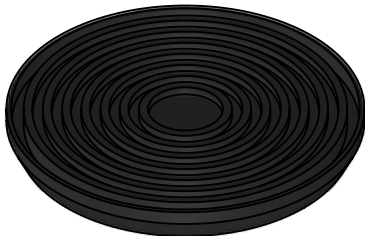
	Part No.:	USN-HK-8430A
	Description:	H&K cup and seal
	Color:	Black
	Material:	TPU 80A
		Scale 1:1.5

	Part No.:	USN-HK-B1
	Description:	H&K centering bell
	Color:	White
	Material:	Delrin
		Scale 1:1.5

	Part No.:	USN-HK-B2
	Description:	H&K centering bell w/o ridge
	Color:	White
	Material:	Delrin
		Scale 1:1.5

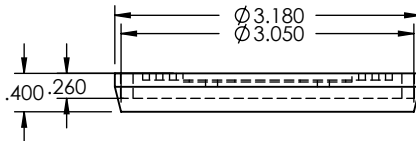
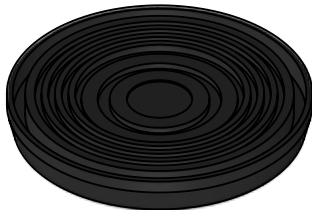
	Part No.:	USN-HK-BR
	Description:	H&K lift cylinder backrest
	Color:	Black
	Material:	TPU 85A
		Scale 1:2

Part No.:	USN-HK-CPL
Description:	H&K crowner pad-large
Color:	Black
Material:	TPU 85A



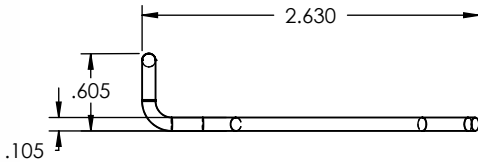
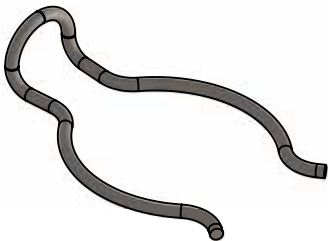
Scale 1:2

Part No.:	USN-HK-CPS
Description:	H&K crowner pad-small
Color:	Black
Material:	TPU 85A



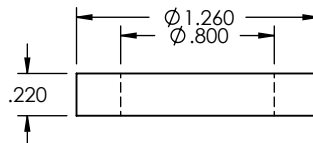
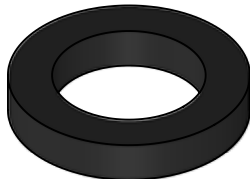
Scale 1:2

Part No.:	USN-HK-SC
Description:	H&K spring cup
Color:	N/A
Material:	Stainless steel



Scale 1:1.5

Part No.:	USN-HK-X588-99-711
Description:	H&K black seal
Color:	Black
Material:	TPU 70A



Scale 1:1

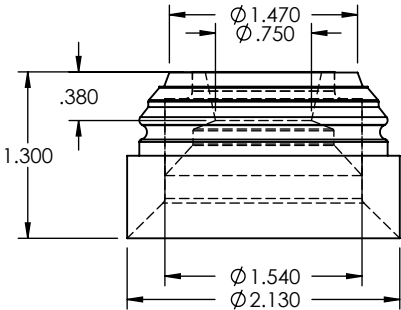
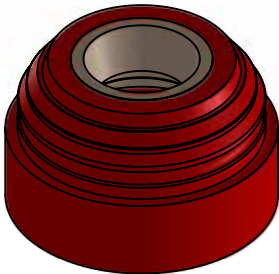
	Part No.: USN-HK-LQ2
	Description: H&k liquid seal
	Color: Black
	Material: TPE 73A
Scale 1.5:1	

	Part No.: USN-HK-LSP-100
	Description: H&K vent tube spreader
	Color: Green
	Material: TPU 75A
Scale 3:1	

	Part No.: USN-HK-M2BCS
	Description: H&K inner beige seal for MQ2B
	Color: Beige
	Material: TPU 75A
Scale 1:1	

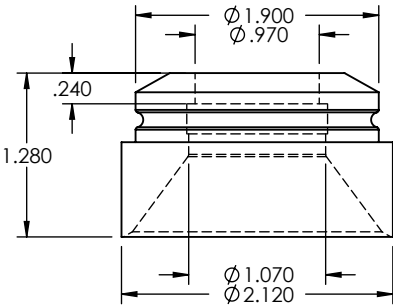
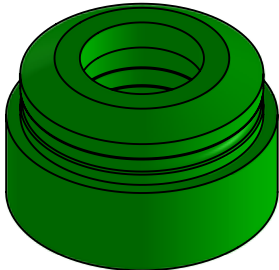
	Part No.: USN-HK-M2RCS
	Description: H&K outer red seal for MQ2B
	Color: Red
	Material: TPU 74D
Scale 1:1.5	

Part No.:	USN-HK-MQ2B
Description:	H&K 2 bottle cup&seal
Color:	Red
Material:	TPU 74D



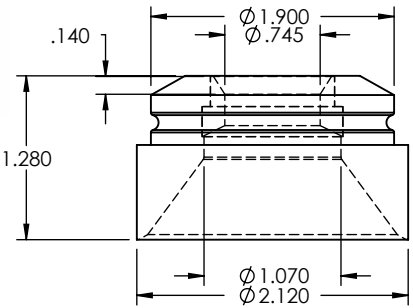
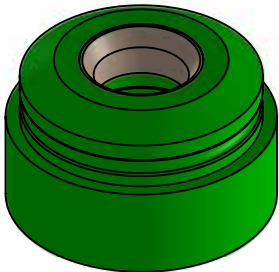
Scale 1:1.5

Part No.:	USN-HK-MTE
Description:	H&K cup&seal
Color:	Green
Material:	TPU 74D



Scale 1:1.5

Part No.:	USN-HK-MTE14
Description:	H&K 2pc. cup&seal
Color:	Green&Beige
Material:	TPU



Scale 1:1.5

Part No.:	-
Description:	-
Color:	-
Material:	-

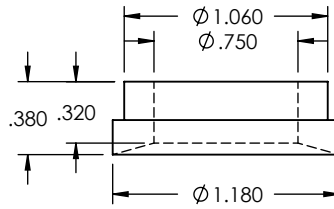
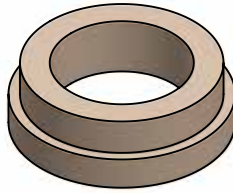
OUR CATALOGUE IS EVOLVING, IF YOU DON'T SEE YOUR COMPONENT CONTACT US FOR AVAILABILITY

A dynamic splash of water in shades of blue and white, moving from left to right across the middle of the page. The water is captured in mid-air, creating a sense of motion and freshness.

HARTNESS SEAL COMPONENTS

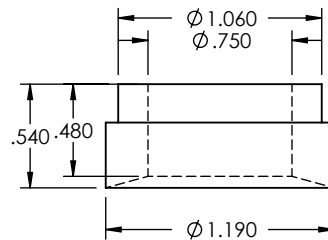
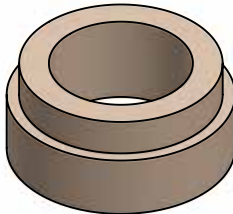
HARTNESS SEAL COMPONENTS

Part No.:	USN-HT-10
Description:	Hartness seal
Color:	Beige
Material:	TPU 80A



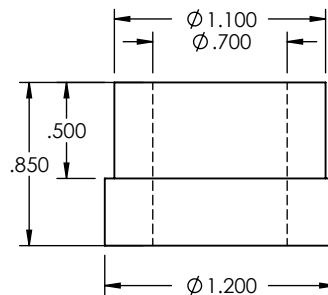
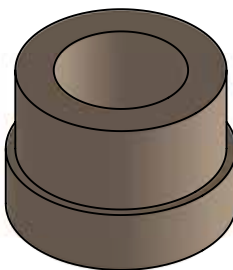
Scale 1:1

Part No.:	USN-HT-11
Description:	Hartness seal
Color:	Beige
Material:	TPU 75A



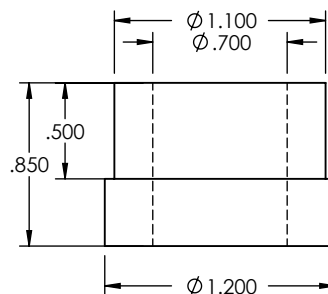
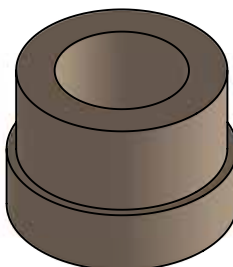
Scale 1:1

Part No.:	USN-HT-11EX
Description:	Hartness seal
Color:	Beige
Material:	TPU 80A



Scale 1:1

Part No.:	USN-HT-11EX-60
Description:	Hartness seal
Color:	Beige
Material:	TPU 60A



Scale 1:1

	Part No.:
	USN-HT-11EX-70
	Description:
	Hartness seal
	Color:
	Beige
	Material:
	TPU 70A
Scale 1:1	

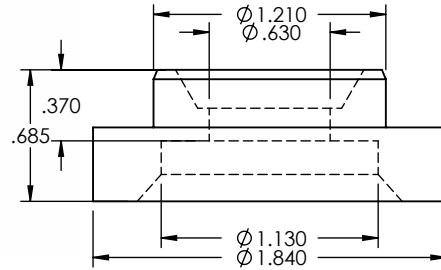
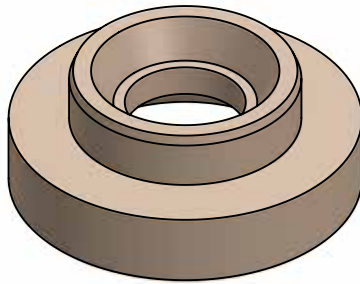
	Part No.:
	USN-HT-12
	Description:
	Hartness seal
	Color:
	Beige
	Material:
	TPU 80A
Scale 1:1	

	Part No.:
	USN-HT-12-1881
	Description:
	Hartness seal
	Color:
	Beige
	Material:
	TPU 80A
Scale 1:1	

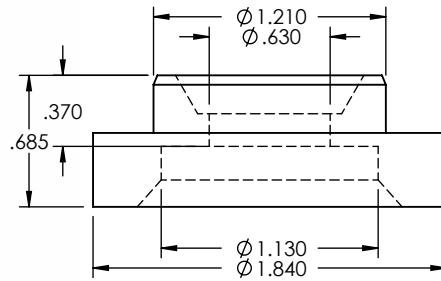
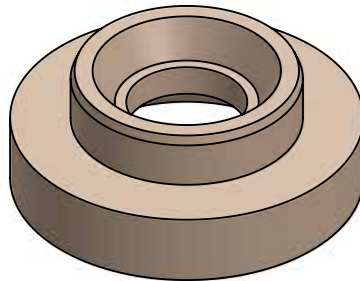
	Part No.:
	USN-HT-1270
	Description:
	Hartness seal
	Color:
	Beige
	Material:
	TPU 70A
Scale 1:1	

HARTNESS SEAL COMPONENTS

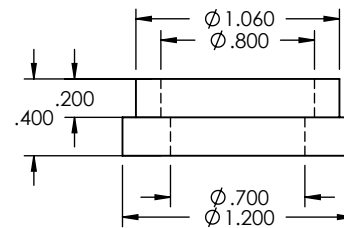
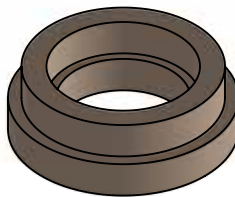
Part No.:	USN-HT-14
Description:	Hartness seal
Color:	Beige
Material:	TPE 75A
Scale 1:1	



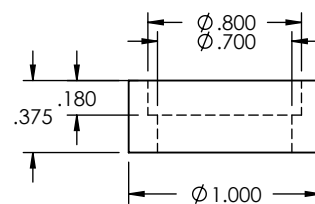
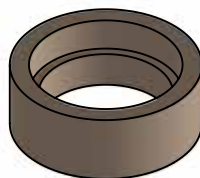
Part No.:	USN-HT-14-80AS
Description:	Hartness seal
Color:	Beige
Material:	TPE 80A
Scale 1:1	



Part No.:	USN-HT-15
Description:	Hartness seal
Color:	Beige
Material:	TPU 75A
Scale 1:1	



Part No.:	USN-HT-15SX
Description:	Hartness seal
Color:	Beige
Material:	Polyurethane 75A
Scale 1:1	



	Part No.:	USN-HT-21
	Description:	Hartness seal
	Color:	Beige
	Material:	TPU 75A
Scale 1:1		

	Part No.:	USN-HT-ABS30
	Description:	Hartness seal
	Color:	Beige
	Material:	TPE 80A
Scale 1:1		

	Part No.:	USN-HT-PV30
	Description:	Hartness seal
	Color:	White
	Material:	TPU 75A
Scale 1:1		

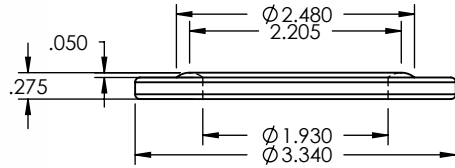
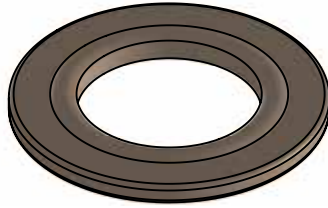
<p>OUR CATALOGUE IS EVOLVING, IF YOU DON'T SEE YOUR COMPONENT CONTACT US FOR AVAILABILITY</p>	Part No.:	-
	Description:	-
	Color:	-
	Material:	-
		-

A dynamic splash of water in shades of blue and white, moving from left to right across the middle of the page. The water is captured in mid-air, creating a sense of motion and freshness.

KEG FILLING / CLEANING COMPONENTS

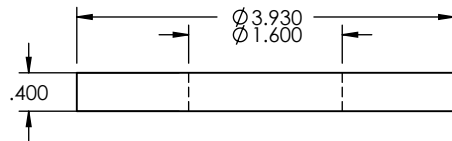
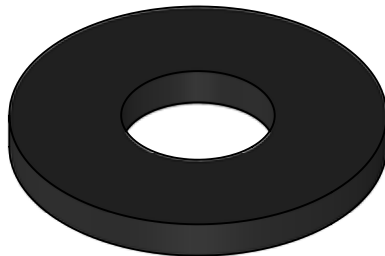
KEG FILLING / CLEANING COMPONENTS

Part No.:	USN-APV-KS
Description:	APV keg seal
Color:	Beige
Material:	TPE 85A



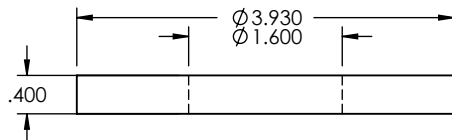
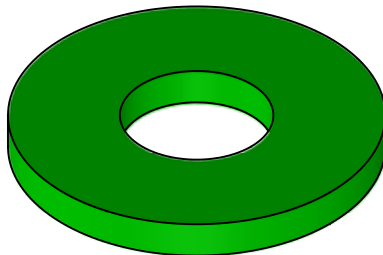
Scale 1:2

Part No.:	USN-KS-S64
Description:	Keg seal
Color:	Black
Material:	TPE 64A



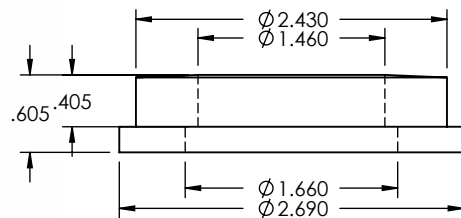
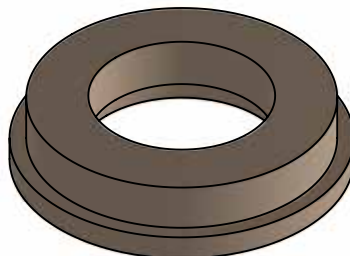
Scale 1:2

Part No.:	USN-KS-S73
Description:	Keg seal
Color:	Green
Material:	TPE 75A

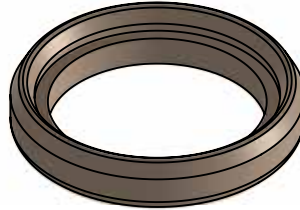
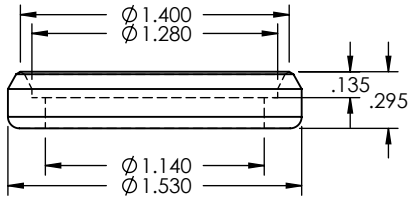


Scale 1:2

Part No.:	USN-KS-580
Description:	Keg seal
Color:	Beige
Material:	TPE 85A



Scale 1:1.5



Part No.:	USN-MKS-1
Description:	Mini keg seal
Color:	Beige
Material:	TPE 80A

Scale 1:1

YOUR CUSTOM PART HERE

Part No.:	-
Description:	-
Color:	-
Material:	-

YOUR CUSTOM PART HERE

Part No.:	-
Description:	-
Color:	-
Material:	-

OUR CATALOGUE IS EVOLVING, IF YOU DON'T SEE YOUR COMPONENT CONTACT US FOR AVAILABILITY

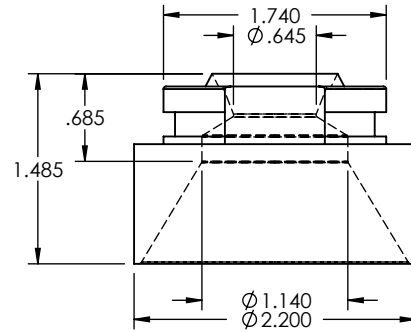
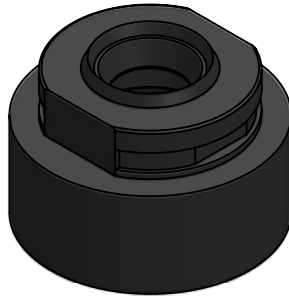
Part No.:	-
Description:	-
Color:	-
Material:	-

A dynamic splash of water in shades of blue and white, moving from left to right across the middle of the page. The water is captured in mid-air, with many small droplets and a larger, flowing ribbon of water.

KHS COMPONENTS

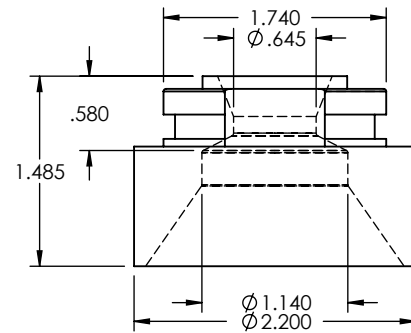
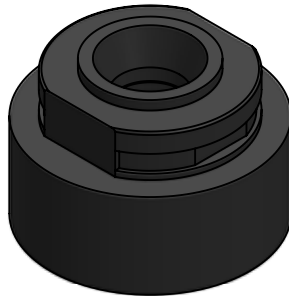
KHS COMPONENTS

Part No.:	USN-KHS-1125
Description:	KHS cup&seal
Color:	Black
Material:	TPU 90A



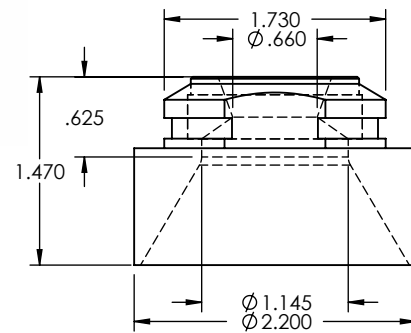
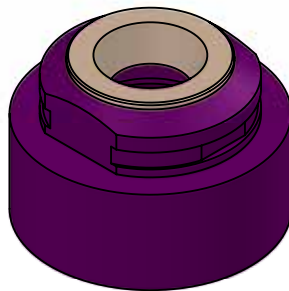
Scale 1:1.5

Part No.:	USN-KHS-1125-3
Description:	KHS cup&seal-thick base
Color:	Black
Material:	TPU 90A



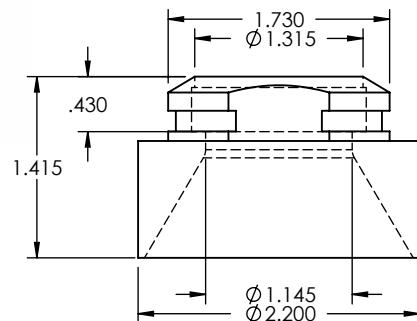
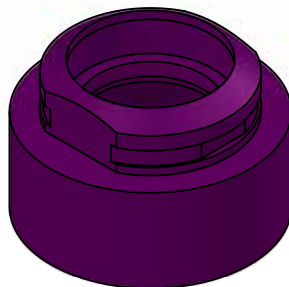
Scale 1:1.5

Part No.:	USN-KHS-1145
Description:	KHS QC cup & seal assembly
Color:	Purple
Material:	Assembly

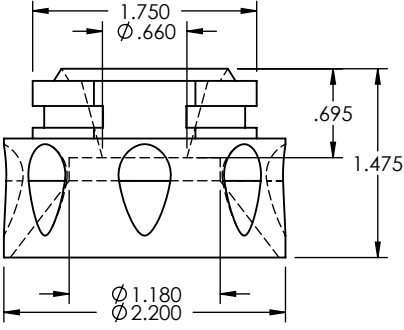
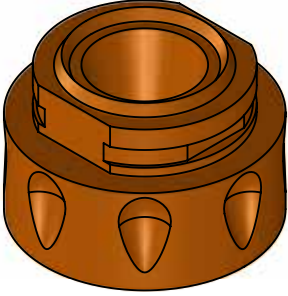


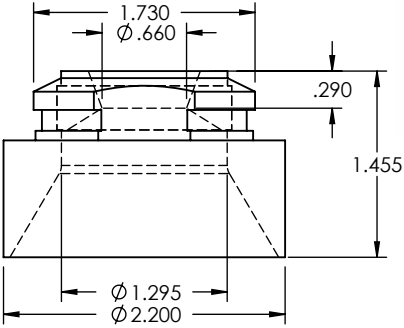
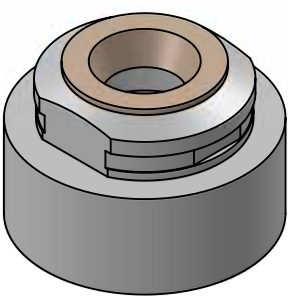
Scale 1:1.5

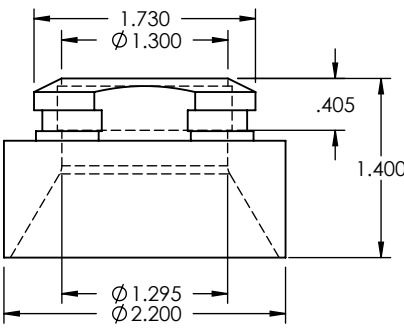
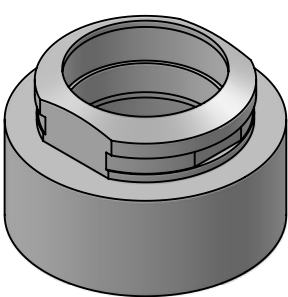
Part No.:	USN-KHS-1145-BASE
Description:	KHS seal
Color:	Purple
Material:	Delrin

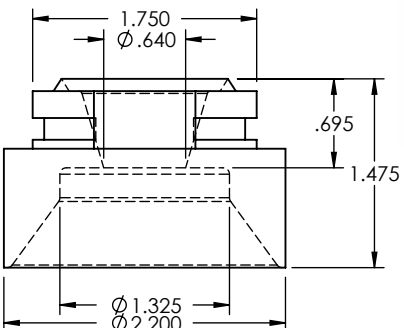
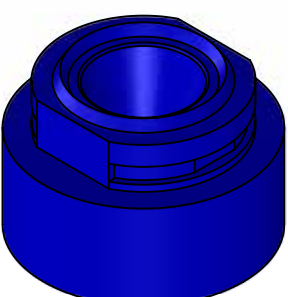


Scale 1:1.5

		Part No.: USN-KHS-1170
		Description: KHS QC cup & seal assembly
		Color: Orange
		Material: TPU 90A
		Scale 1:1.5

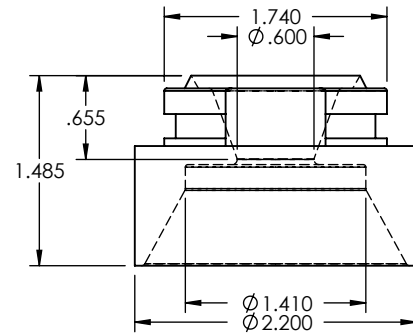
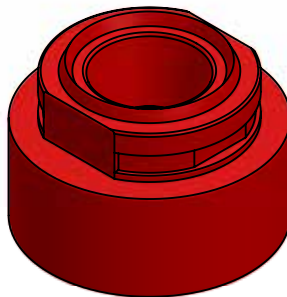
		Part No.: USN-KHS-1295
		Description: KHS cup & seal
		Color: White
		Material: Delrin
		Scale 1:1.5

		Part No.: USN-KHS-1295-BASE
		Description: KHS seal
		Color: White
		Material: Delrin
		Scale 1:1.5

		Part No.: USN-KHS-1325
		Description: KHS replacement seal
		Color: Blue
		Material: TPU 90A
		Scale 1:1.5

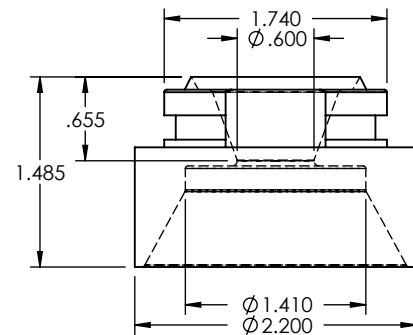
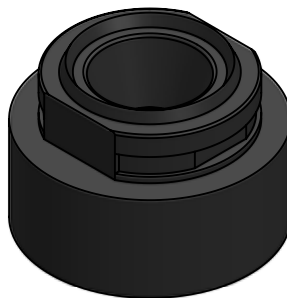
KHS COMPONENTS

Part No.:	USN-KHS-1400
Description:	KHS QC cup & seal
Color:	Red
Material:	TPU 90A



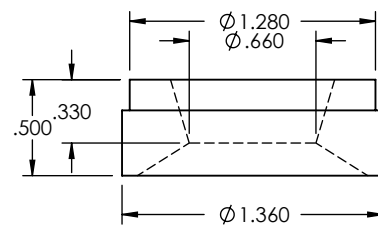
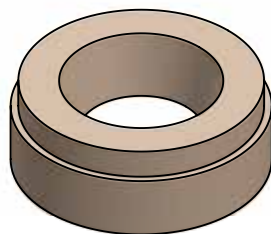
Scale 1:1.5

Part No.:	USN-KHS-1400B
Description:	KHS QC cup & seal
Color:	Black
Material:	TPU 90A



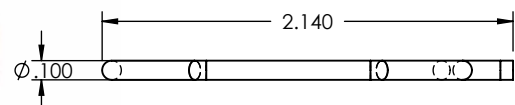
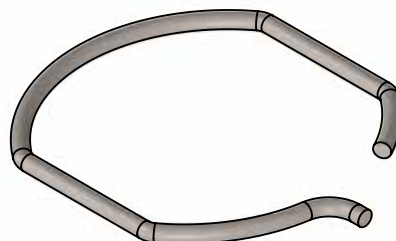
Scale 1:1.5

Part No.:	USN-KHS-IS1
Description:	Insert seal for KHS cups
Color:	Beige
Material:	TPU 80A

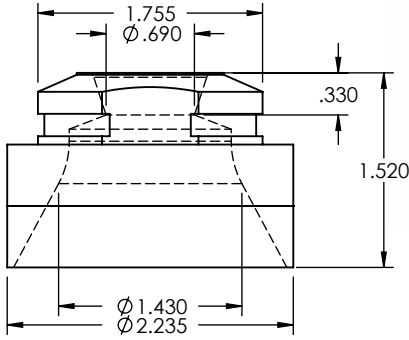
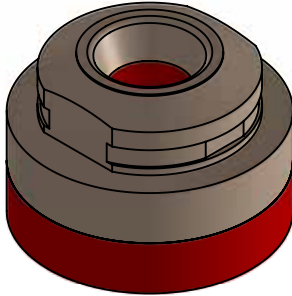


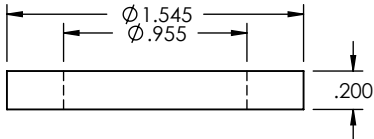
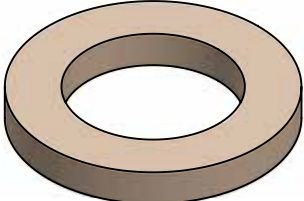
Scale 1:1

Part No.:	USN-KHS-SC
Description:	Spring clamp for KHS seals
Color:	N/A
Material:	Stainless steel



Scale 1:1

		Part No.:	USN-KHS-QC1005-2525-2805
		Description:	KHS quick change cup/seal
		Color:	Red & beige
		Material:	TPU 85A
		Scale 1:1.5	

		Part No.:	USN-KHS-240-50-02-138-00A
		Description:	KHS seal
		Color:	Beige
		Material:	-
		Scale 1:1	

<p>YOUR CUSTOM PART HERE</p>	Part No.:	-
	Description:	-
	Color:	-
	Material:	-
		-

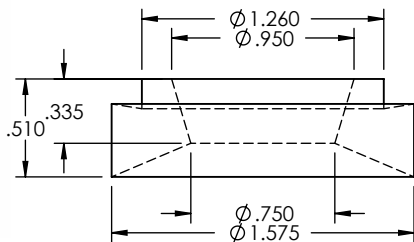
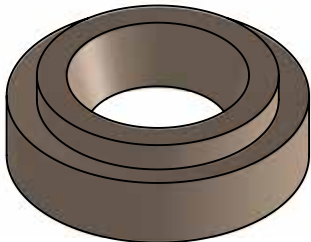
<p>OUR CATALOGUE IS EVOLVING, IF YOU DON'T SEE YOUR COMPONENT CONTACT US FOR AVAILABILITY</p>	Part No.:	-
	Description:	-
	Color:	-
	Material:	-
		-



KRONES COMPONENTS

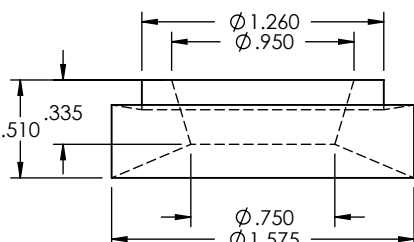
KRONES COMPONENTS

Part No.:	USN-KR-01
Description:	Krones seal
Color:	Beige
Material:	TPU 80A



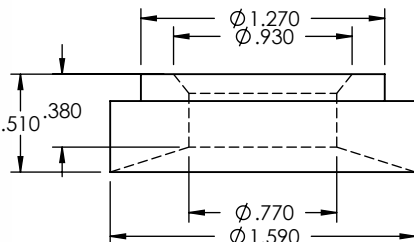
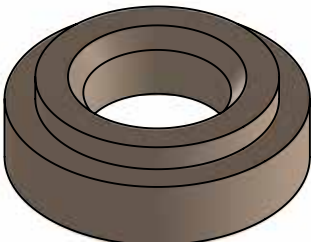
Scale 1:1

Part No.:	USN-KR-01B
Description:	Krones seal
Color:	Black
Material:	TPU 80A



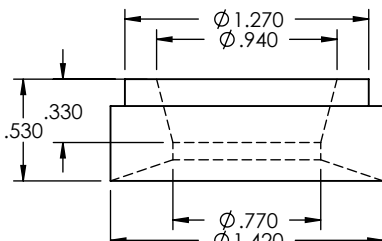
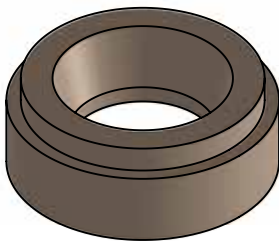
Scale 1:1

Part No.:	USN-KR-02
Description:	Krones seal
Color:	Beige
Material:	TPU 80A

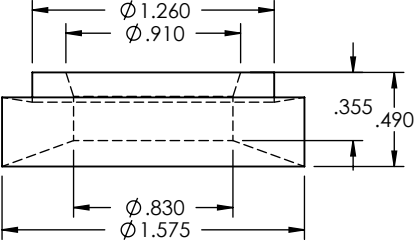



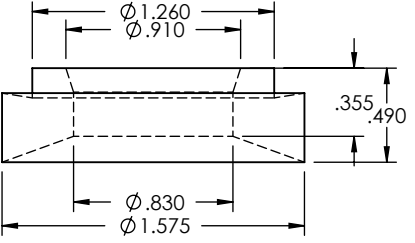

Scale 1:1

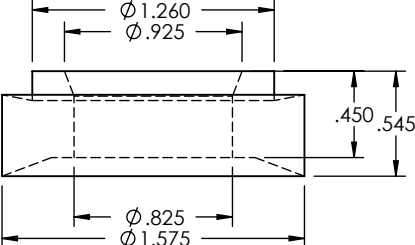
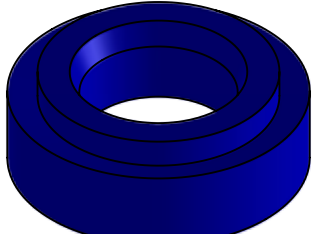
Part No.:	USN-KR-02-3600
Description:	Krones seal
Color:	Beige
Material:	TPU 80A

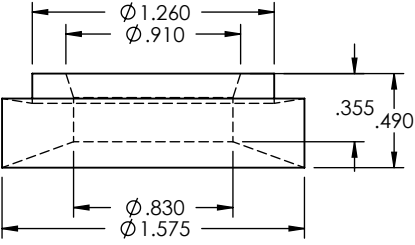
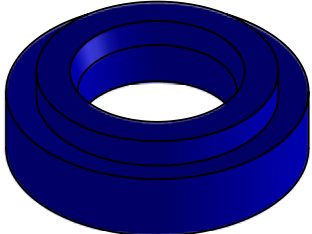


Scale 1:1

		Part No.: USN-KR-03
		Description: Kronos seal
		Color: Black
		Material: TPU 80A
		Scale 1:1

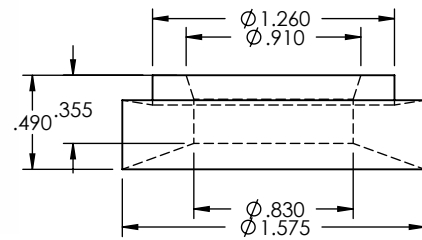
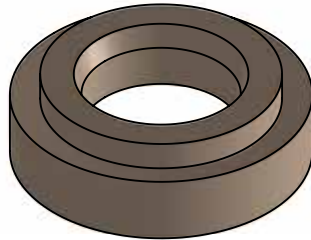
		Part No.: USN-KR-03(55AS)
		Description: Kronos seal
		Color: Black
		Material: TPE 55A
		Scale 1:1

		Part No.: USN-KR-03-1881
		Description: Kronos seal
		Color: Blue
		Material: TPU 80A
		Scale 1:1

		Part No.: USN-KR-03B
		Description: Kronos seal
		Color: Blue
		Material: TPU 80A
		Scale 1:1

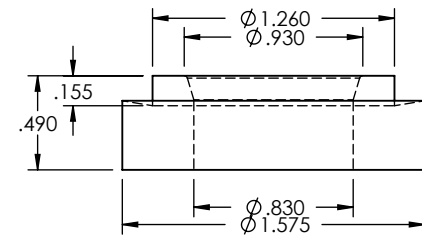
KRONES COMPONENTS

Part No.:	USN-KR-03B70
Description:	Krones seal
Color:	Beige
Material:	TPU 70A



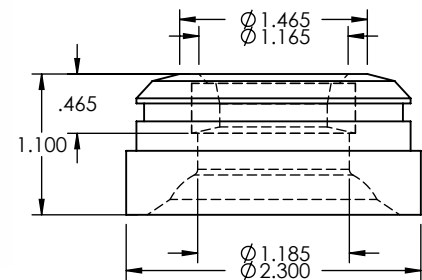
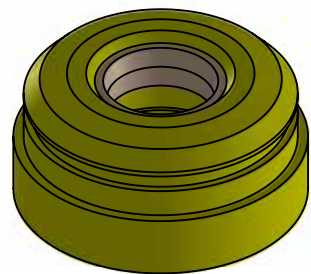
Scale 1:1

Part No.:	USN-KR-03PTOC
Description:	Krones seal-1881
Color:	Black
Material:	TPE 80A



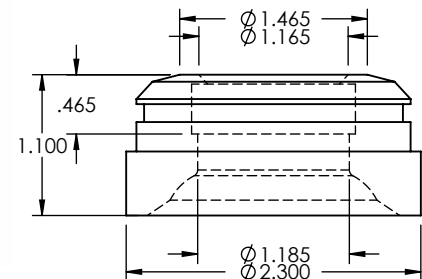
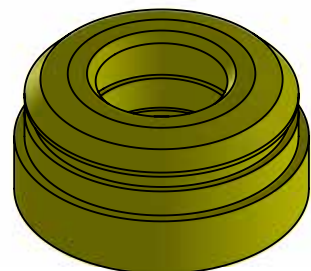
Scale 1:1

Part No.:	USN-KR-0-901-24-179-5
Description:	Krones sealing rubber & insert
Color:	Beige
Material:	Assembly

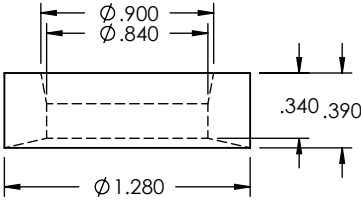
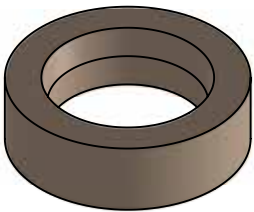


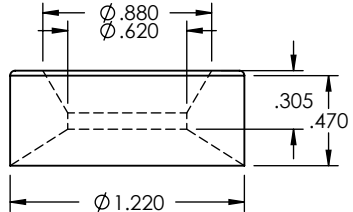
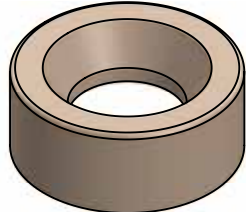
Scale 1:1.5

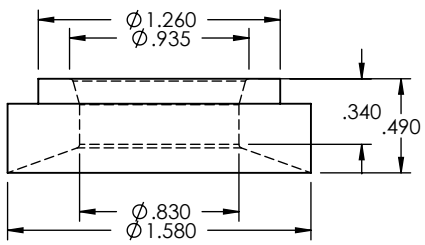
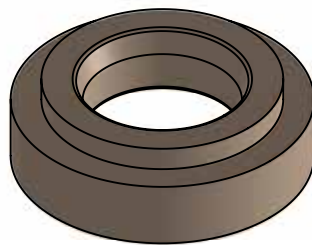
Part No.:	USN-KR-0-901-24-179-5-CC
Description:	Krones centering cup
Color:	Yellow
Material:	Delrin



Scale 1:1.5

		Part No.:
		USN-KR-0-901-24-179-5-IS
		Description:
		Kroner insert seal
		Color:
		Beige
		Material:
		TPU 80A
		Scale 1:1

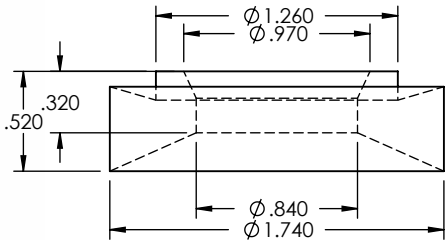
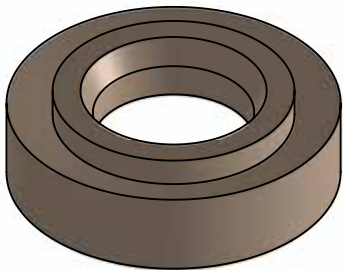
		Part No.:
		USN-KR-10
		Description:
		Kroner seal
		Color:
		Beige
		Material:
		TPE 75A
		Scale 1:1

		Part No.:
		USN-KR-1-126-52-090-0
		Description:
		Kroner seal
		Color:
		Beige
		Material:
		TPU 80A
		Scale 1:1

		Part No.:
		USN-KR-126-52-090-0-70-ABK
		Description:
		Kroner seal
		Color:
		Black
		Material:
		TPU 70A
		Scale 1:1

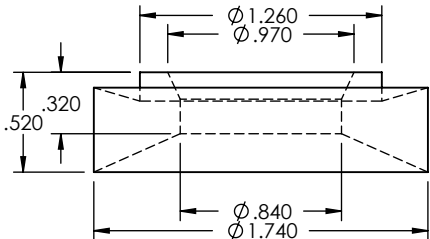
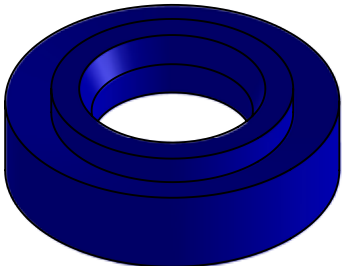
KRONES COMPONENTS

Part No.:	USN-KR-55
Description:	Krones seal
Color:	Beige
Material:	TPE 55A



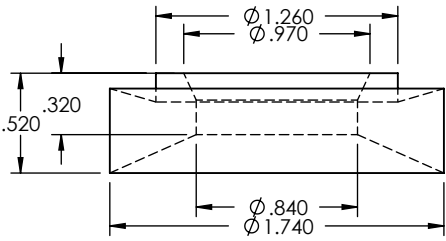
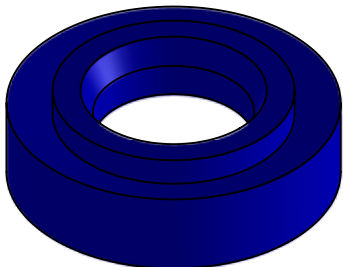
Scale 1:1

Part No.:	USN-KR-70
Description:	Krones seal
Color:	Blue
Material:	TPU 70A



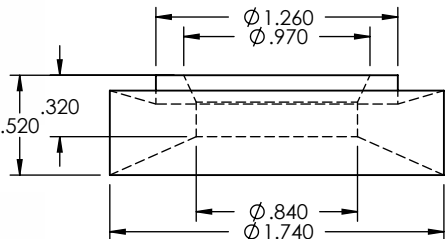
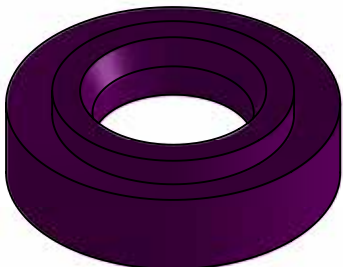
Scale 1:1

Part No.:	USN-KR-73
Description:	Krones seal
Color:	Blue
Material:	TPE 73A



Scale 1:1

Part No.:	USN-KR-85
Description:	Krones seal
Color:	Purple
Material:	TPU 85A



Scale 1:1

	Part No.: USN-KR-901-027-509
	Description: Kronos seal
	Color: Black
	Material: TPU 80A
Scale 1:1	

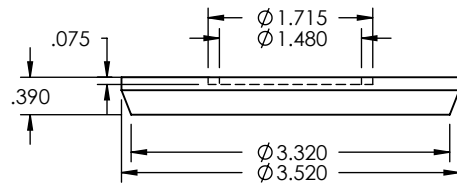
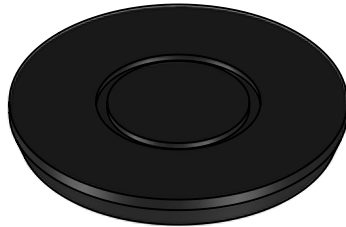
	Part No.: USN-KR-901-027-529
	Description: Kronos seal
	Color: Black
	Material: TPU 70A
Scale 1:1	

	Part No.: USN-KR-8-900-03-2650
	Description: Kronos insert seal
	Color: Beige
	Material: TPU 80A
Scale 1:1	

	Part No.: USN-KR-0390
	Description: Kronos insert seal
	Color: Beige
	Material: TPU 80A
Scale 1:1	

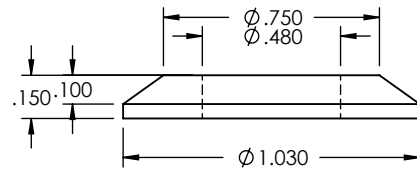
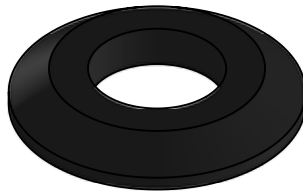
KRONES COMPONENTS

Part No.:	USN-KR-CPL
Description:	Krones crowner pad
Color:	Black
Material:	TPU 85A



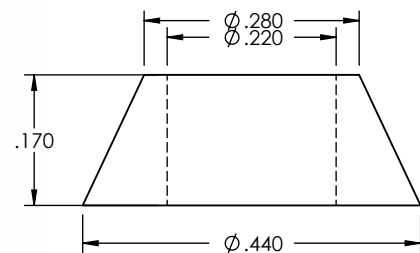
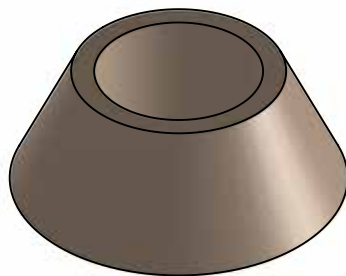
Scale 1:2

Part No.:	USN-KR-LS1
Description:	Krones liquid seal
Color:	Black
Material:	TPU 85A



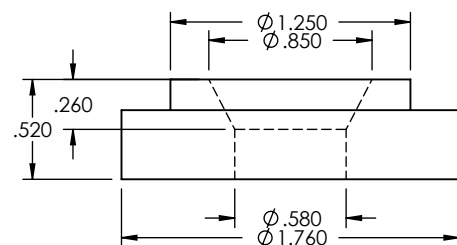
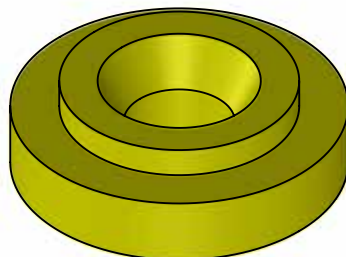
Scale 1.5:1

Part No.:	USN-KR-LSP1
Description:	Krones liquid seal
Color:	Beige
Material:	TPU 80A



Scale 4:1

Part No.:	USN-KR-V70
Description:	Krones seal
Color:	Yellow
Material:	TPU 70A



Scale 1:1

	Part No.: USN-KR-14000-022
	Description: Kronos insert seal
	Color: Black
	Material: Santoprene
Scale 1:1	

	Part No.: USN-KR-CP-B
	Description: Kronos crowner pad base
	Color: N/A
	Material: Stainless steel
Scale 1:2	

	Part No.: USN-KR-CP-I
	Description: Kronos crowner pad insert
	Color: Black
	Material: TPU 85A
Scale 1:2	

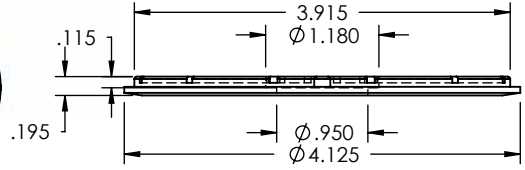
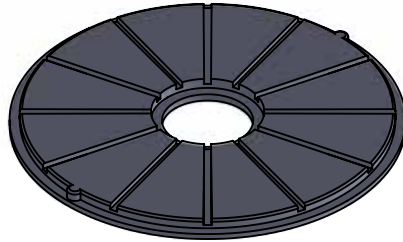
YOUR CUSTOM PART HERE	Part No.: -
	Description: -
	Color: -
	Material: -

A dynamic splash of water in shades of blue and white, moving from left to right across the middle of the page. The water is captured in mid-air, creating a sense of motion and freshness.

LABELER COMPONENTS

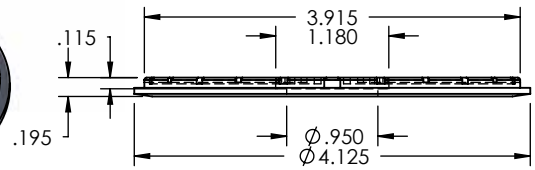
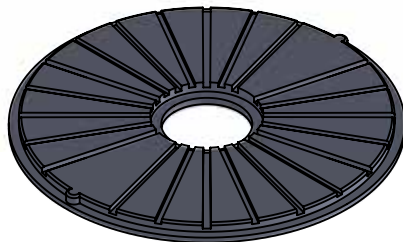
LABELER COMPONENTS

Part No.:	USN-LP1
Description:	Labeler pad-1
Color:	Black
Material:	TPU 80A



Scale 1:2

Part No.:	USN-LP2
Description:	Labeler pad-2
Color:	Black
Material:	TPU 80A



Scale 1:2

Part No.:	-
Description:	-
Color:	-
Material:	-

YOUR CUSTOM PART HERE

Part No.:	-
Description:	-
Color:	-
Material:	-

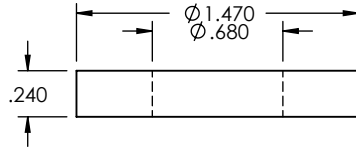
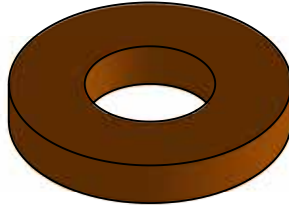
OUR CATALOGUE IS EVOLVING, IF YOU DON'T SEE YOUR COMPONENT CONTACT US FOR AVAILABILITY

A dynamic splash of water in shades of blue, moving from left to right across the middle of the page. The water is captured in mid-air, with many small droplets and a larger, flowing ribbon of water.

LINKER COMPONENTS

LINKER COMPONENTS

Part No.:	USN-LK-45
Description:	Linker liquid seal
Color:	Orange
Material:	Santoprene 45A



Scale 1:1

Part No.:	-
Description:	-
Color:	-
Material:	-

YOUR CUSTOM PART HERE

Part No.:	-
Description:	-
Color:	-
Material:	-

YOUR CUSTOM PART HERE

Part No.:	-
Description:	-
Color:	-
Material:	-

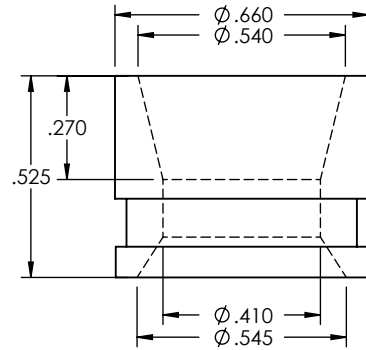
OUR CATALOGUE IS EVOLVING, IF YOU DON'T SEE YOUR COMPONENT CONTACT US FOR AVAILABILITY



MEYER COMPONENTS

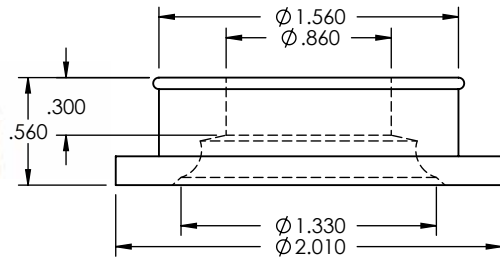
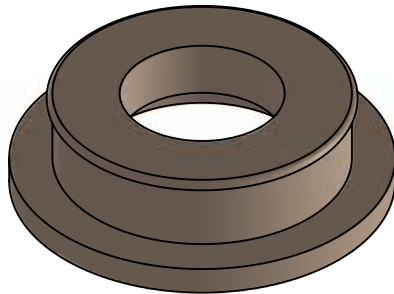
MEYER COMPONENTS

Part No.:	USN-MY-1363108
Description:	202 check valve seal
Color:	Black
Material:	TPE 45A



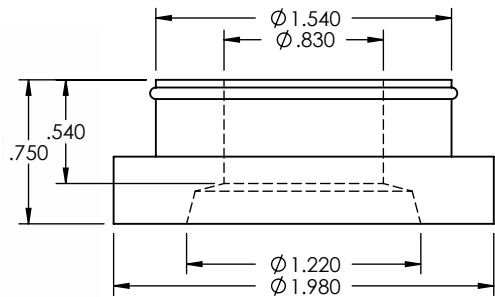
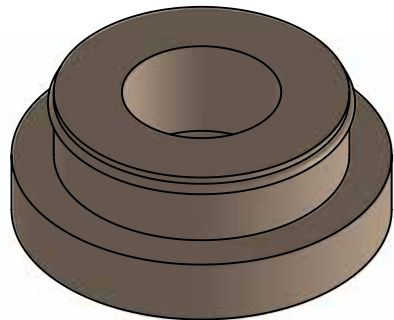
Scale 2:1

Part No.:	USN-MY-10
Description:	Meyer seal
Color:	Beige
Material:	TPU 80A



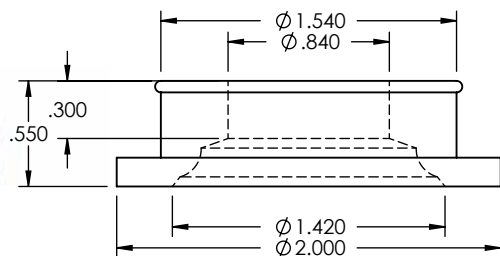
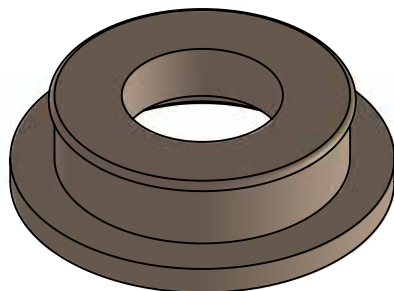
Scale 1:1

Part No.:	USN-MY-10-1881
Description:	Meyer seal
Color:	Beige
Material:	TPU 70A

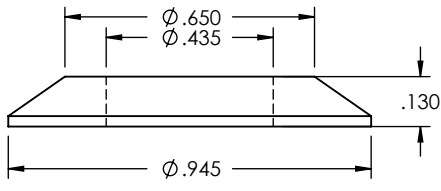
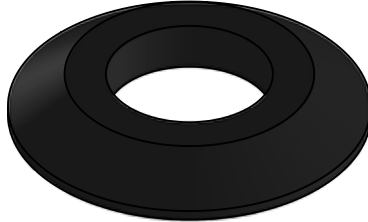


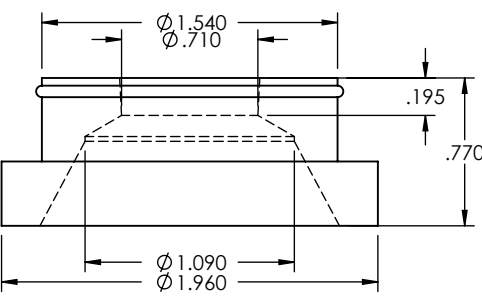
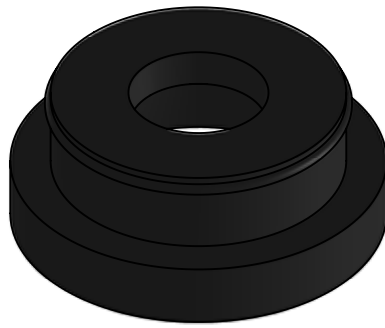
Scale 1:1

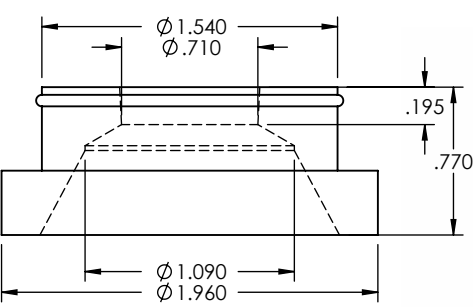
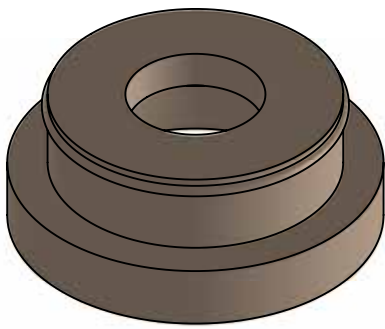
Part No.:	USN-MY-1070
Description:	Meyer seal
Color:	Beige
Material:	TPU 70A

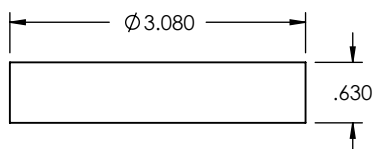
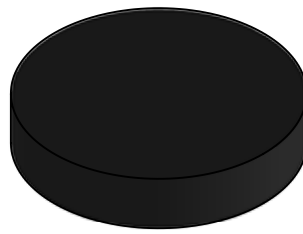


Scale 1:1

		Part No.: USN-MY-1323986B
		Description: Meyer liquid seal
		Color: Black
		Material: TPE 73A
		Scale 2:1

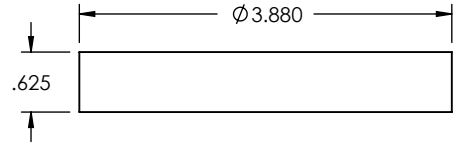
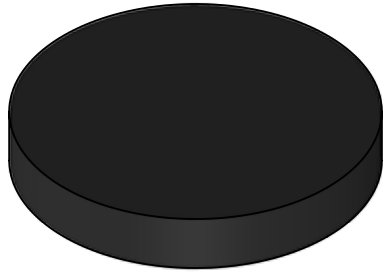
		Part No.: USN-MY-1337067
		Description: Meyer snift block
		Color: Black
		Material: TPE 55A
		Scale 1:1

		Part No.: USN-MY-1337067N
		Description: Meyer nat snift block
		Color: Beige
		Material: TPE 55A
		Scale 1:1

		Part No.: USN-MY-1361736
		Description: Meyer crowner seal
		Color: Black
		Material: TPU 85A
		Scale 1:2

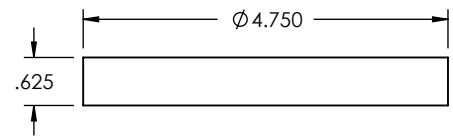
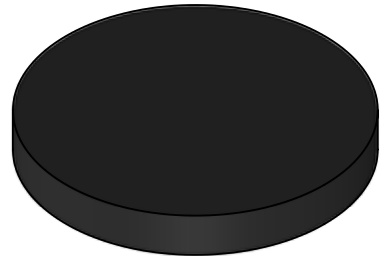
MEYER COMPONENTS

Part No.:	USN-MY-1361737
Description:	Meyer crowner pad
Color:	Black
Material:	TPU 85A



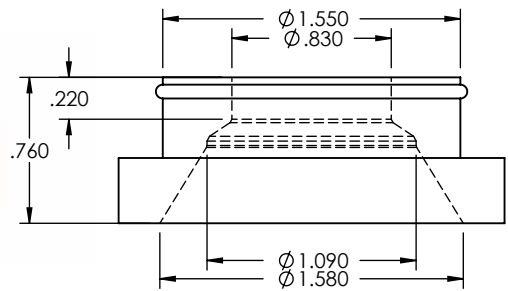
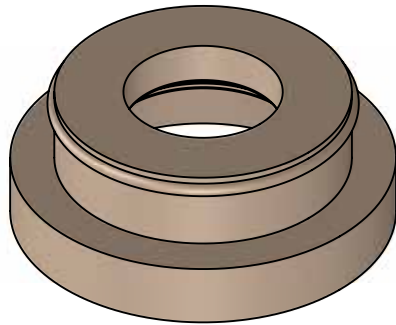
Scale 1:2

Part No.:	USN-MY-1361739
Description:	Meyer crowner pad
Color:	Black
Material:	TPU 80A



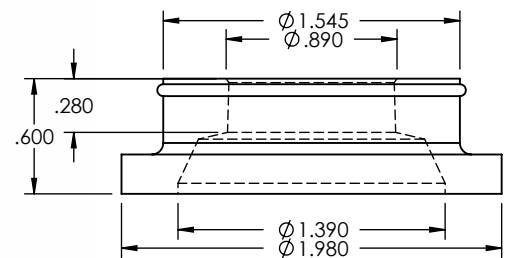
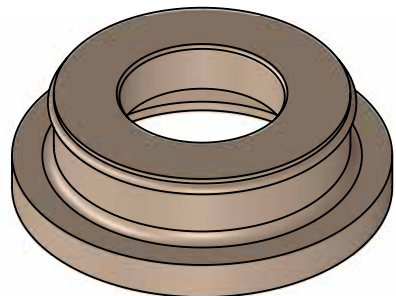
Scale 1:2.5

Part No.:	USN-MY-1366987FX
Description:	Meyer snift block
Color:	Beige
Material:	TPU 55A



Scale 1:1

Part No.:	USN-MY-1372115
Description:	Meyer snift block
Color:	Beige
Material:	TPE 80A



Scale 1:1

	Part No.:
	USN-MY-1372115-F
	Description:
	Meyer seal
	Color:
	Beige
	Material:
	TPU 80A
	Scale 1:1

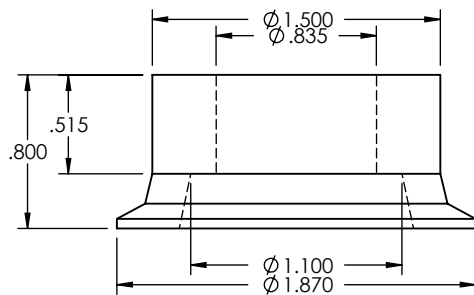
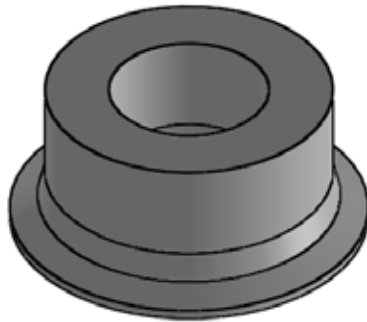
	Part No.:
	USN-MY-1372115F-BLUE
	Description:
	Meyer seal
	Color:
	Black
	Material:
	TPE 64A
	Scale 1:1

	Part No.:
	USN-MY-1372780
	Description:
	Meyer seal
	Color:
	Black
	Material:
	TPE 64A
	Scale 1:1

	Part No.:
	USN-MY-1372781
	Description:
	Meyer seal
	Color:
	Beige
	Material:
	TPE 80A
	Scale 1:1

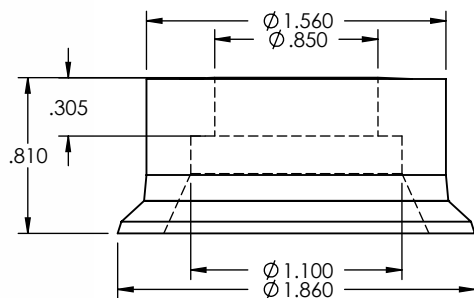
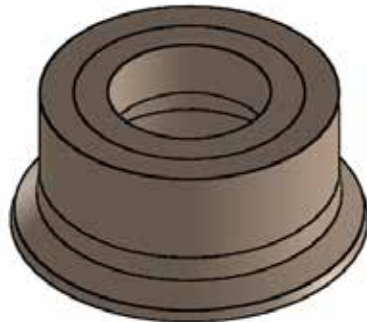
MEYER COMPONENTS

Part No.:	USN-MY-1373085-CC
Description:	Meyer seal
Color:	White
Material:	TPE 73A



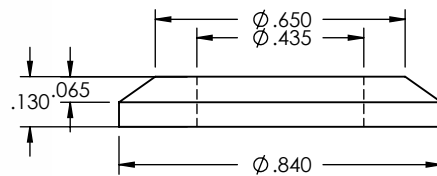
Scale 1:1

Part No.:	USN-MY-1373085FW
Description:	Meyer seal
Color:	Beige
Material:	TPE 64A



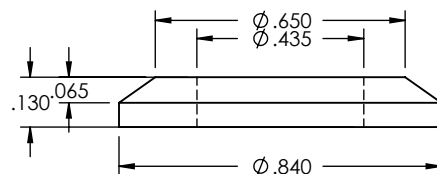
Scale 1:1

Part No.:	USN-MY-1373442
Description:	Meyer liquid seal
Color:	Beige
Material:	TPE 73A



Scale 2:1

Part No.:	USN-MY-1373442B
Description:	Meyer liquid seal
Color:	Black
Material:	TPE 73A



Scale 2:1

	Part No.: USN-MY-1373675
	Description: Meyer liquid seal
	Color: Black
	Material: TPE 64A
Scale 1:1	

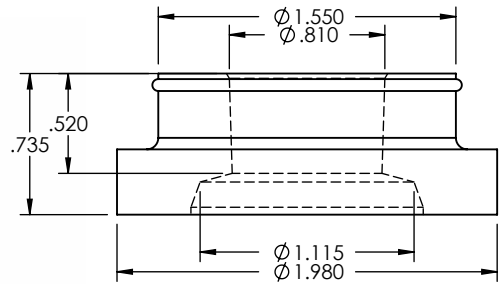
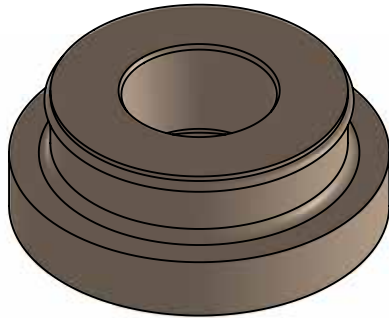
	Part No.: USN-MY-1373675-1
	Description: Meyer seal
	Color: Black
	Material: TPE 64A
Scale 1:1	

	Part No.: USN-MY-14
	Description: Meyer seal
	Color: Beige
	Material: TPU 80A
Scale 1:1	

	Part No.: USN-MY-1417
	Description: Meyer seal
	Color: Black
	Material: TPU 70A
Scale 1:1	

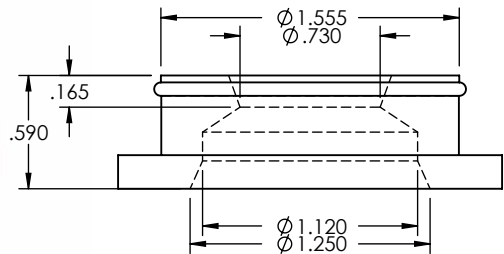
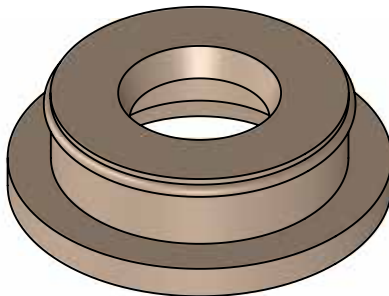
MEYER COMPONENTS

Part No.:	USN-MY-14-1881
Description:	Meyer seal
Color:	Beige
Material:	TPU 70A



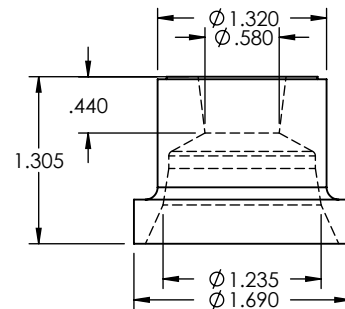
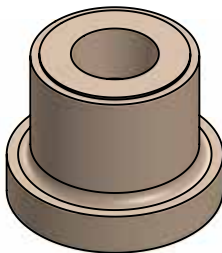
Scale 1:1

Part No.:	USN-MY-16
Description:	Meyer seal
Color:	Beige
Material:	TPU 80A



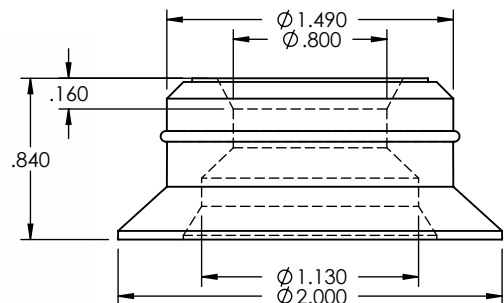
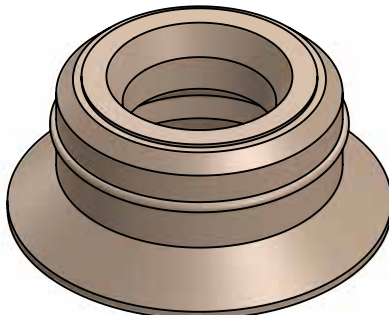
Scale 1:1

Part No.:	USN-MY-18
Description:	Meyer seal
Color:	Beige
Material:	TPU 80A



Scale 1:1.5

Part No.:	USN-MY-22
Description:	Meyer seal
Color:	Beige
Material:	TPU 80A



Scale 1:1

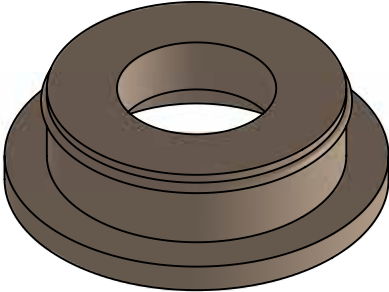
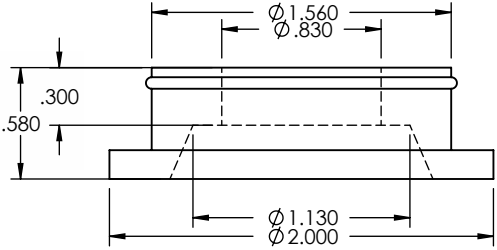
	Part No.: USN-MY-2780-81-F11
	Description: Meyer seal
	Color: Beige
	Material: TPE 65A
	Scale 1:1

	Part No.: USN-MY-2780-F-050-B80
	Description: Meyer seal
	Color: Blue
	Material: TPU 80A
	Scale 1:1

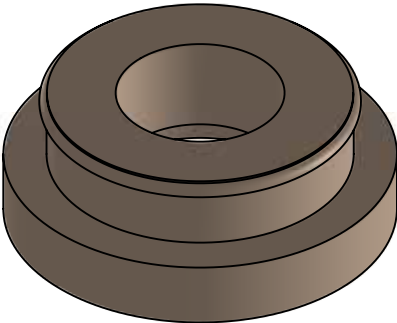
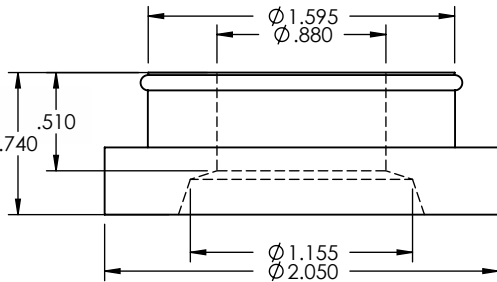
	Part No.: USN-MY-2780-F-80
	Description: Meyer seal
	Color: Beige
	Material: TPU 80A
	Scale 1:1

	Part No.: USN-MY-2780-F-BK80
	Description: Meyer seal
	Color: Black
	Material: TPU 80A
	Scale 1:1

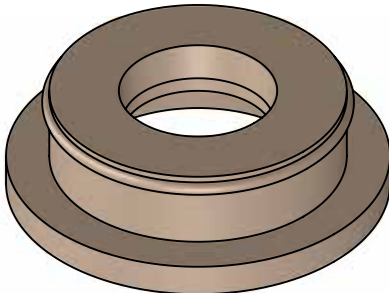
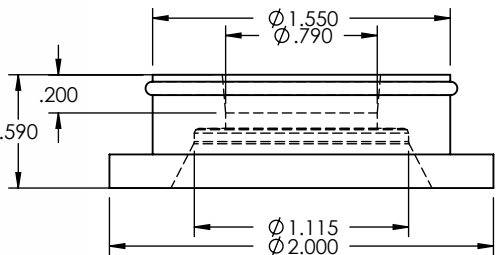
MEYER COMPONENTS

Part No.:	USN-MY-28		
Description:	Meyer seal		
Color:	Beige		
Material:	TPU 80A		

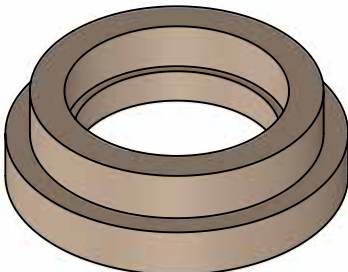
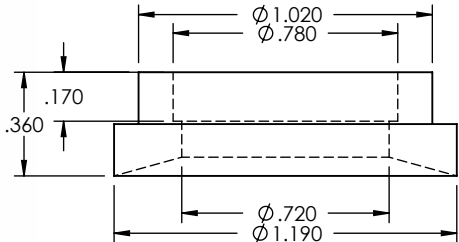
Scale 1:1

Part No.:	USN-MY-28-1881		
Description:	Meyer seal		
Color:	Beige		
Material:	TPU 70A		

Scale 1:1

Part No.:	USN-MY-3000445F		
Description:	Meyer liquid seal		
Color:	Beige		
Material:	TPE 80A		

Scale 1:1

Part No.:	USN-PHNR-11		
Description:	Meyer seal		
Color:	Beige		
Material:	TPE 73A		

Scale 1.5:1

	Part No.:	USN-MY-909T
	Description:	Meyer liquid seal
	Color:	Black
	Material:	TPU 70A
		Scale 1:1

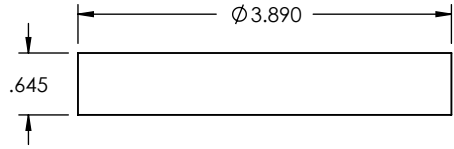
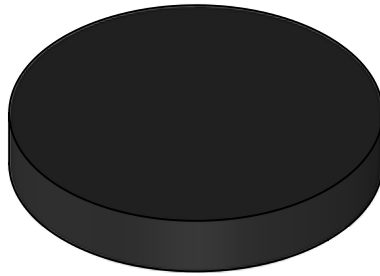
	Part No.:	USN-MY-9675
	Description:	Meyer seal
	Color:	Blue
	Material:	TPE 73A
		Scale 1:1

	Part No.:	USN-MY-9675-73
	Description:	Meyer seal
	Color:	Beige
	Material:	TPE 73A
		Scale 1:1

	Part No.:	USN-MY-C1120
	Description:	Meyer seal
	Color:	Green
	Material:	TPU 85A
		Scale 1:1.5

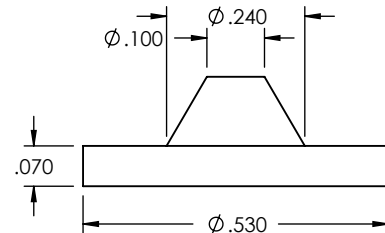
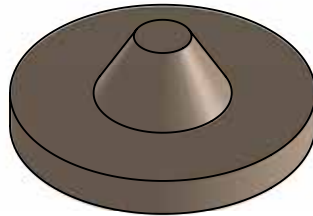
MEYER COMPONENTS

Part No.:	USN-MY-CPL
Description:	Meyer crowner pad-quart size
Color:	Black
Material:	TPU 85A



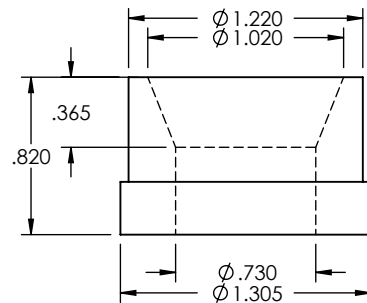
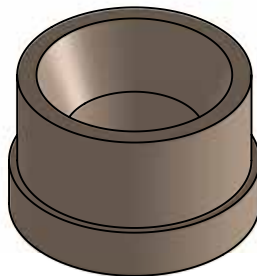
Scale 1:2

Part No.:	USN-MY-CPS
Description:	Meyer counter pressure seal
Color:	Beige
Material:	TPE 80A



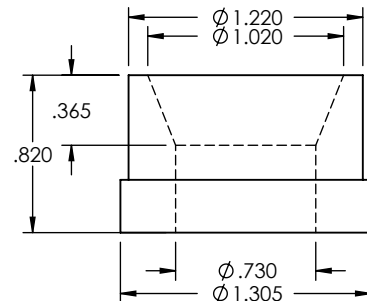
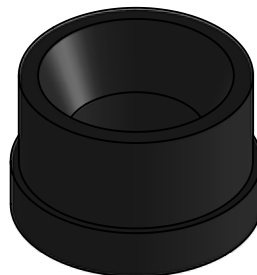
Scale 3:1

Part No.:	USN-MY-DQS18
Description:	Meyer insert seal
Color:	Beige
Material:	TPE 73A



Scale 1:1

Part No.:	USN-MY-DQS18-BL
Description:	Meyer insert seal
Color:	Black
Material:	TPU 70A



Scale 1:1

	Part No.:
	USN-MY-X12929-64A
	Description:
	Meyer seal
	Color:
	Beige
	Material:
	TPE 64A
	Scale 1:1

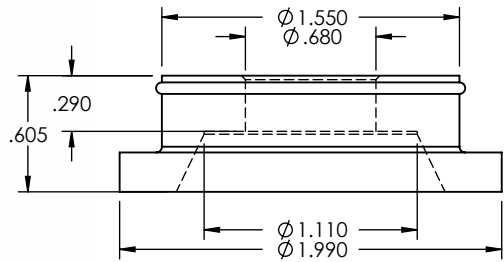
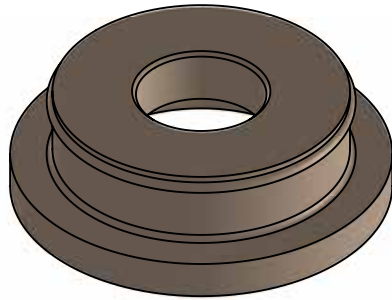
	Part No.:
	USN-MY-X12929-80A
	Description:
	Meyer seal
	Color:
	Beige
	Material:
	TPE 80A
	Scale 1:1

	Part No.:
	USN-MY-6987-S
	Description:
	Meyer insert seal
	Color:
	Beige
	Material:
	TPE 80A
	Scale 1:1

	Part No.:
	USN-MY-1372115-65A
	Description:
	Snift block insert
	Color:
	Beige
	Material:
	TPE 65A
	Scale 1:1

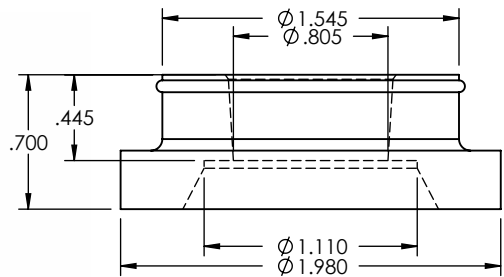
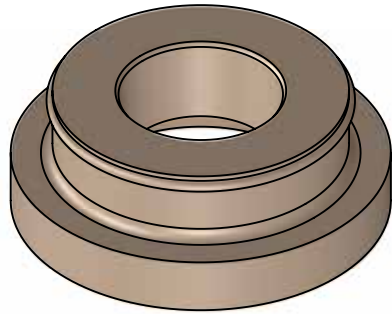
MEYER COMPONENTS

Part No.:	USN-MY-7067-2PN
Description:	Snift block insert
Color:	Beige
Material:	TPE 80A



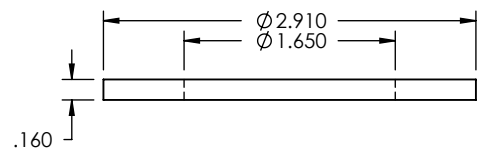
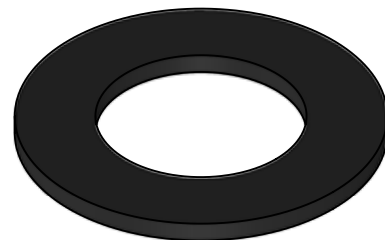
Scale 1:1

Part No.:	USN-MY-1372115-F-1881
Description:	Snift block insert
Color:	Beige
Material:	TPE 80A



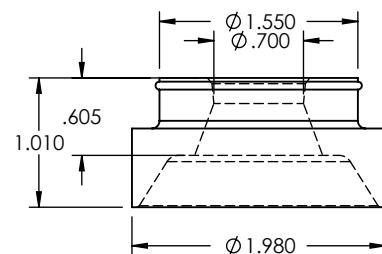
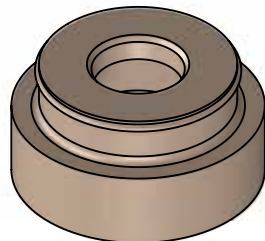
Scale 1:1

Part No.:	USN-MY-QBP-38516
Description:	Bumper, lower lift cylinder
Color:	Black
Material:	TPU 80A

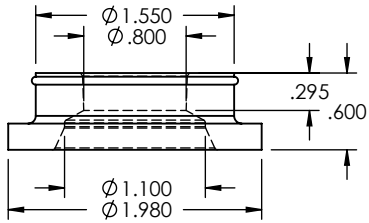
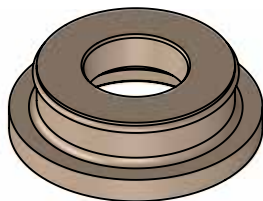


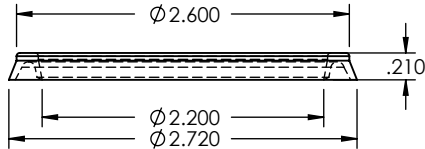

Scale 1:1.5

Part No.:	USN-MY-909-38-F
Description:	Meyer seal
Color:	Beige
Material:	TPE 80A

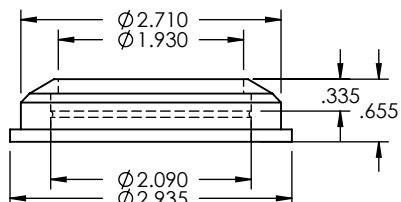


Scale 1:1.5

		Part No.:
		USN-MY-909-TX-20
Description:		Meyer seal
Color:		Beige
Material:		TPE 80A
		Scale 1:1.5

		Part No.:
		USN-MY-1010115
Description:		Meyer wiper seal
Color:		Black
Material:		TPU 70A
		Scale 1:1.5

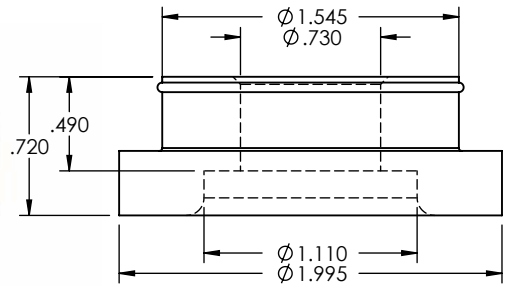
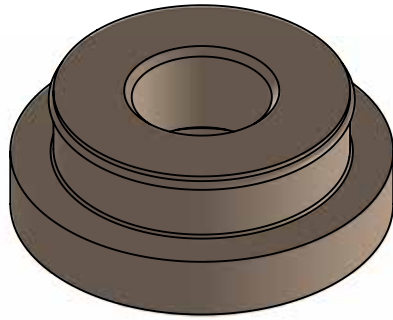
		Part No.:
		USN-MY-1361619
Description:		Meyer can seal
Color:		Black
Material:		TPE 64A
		Scale 1:2

		Part No.:
		USN-MY-1369515
Description:		Meyer can seal
Color:		Black
Material:		TPE 73A
		Scale 1:2



MEYER COMPONENTS

Part No.:	USN-MY-133-R11-1881
Description:	Meyer seal
Color:	Beige
Material:	TPE 80A



Scale 1:1

Part No.:	-
Description:	-
Color:	-
Material:	-

YOUR CUSTOM PART HERE

Part No.:	-
Description:	-
Color:	-
Material:	-

YOUR CUSTOM PART HERE

Part No.:	-
Description:	-
Color:	-
Material:	-

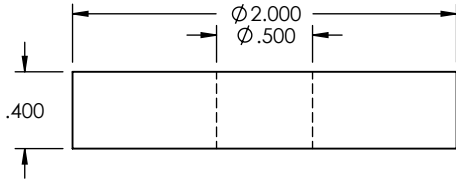
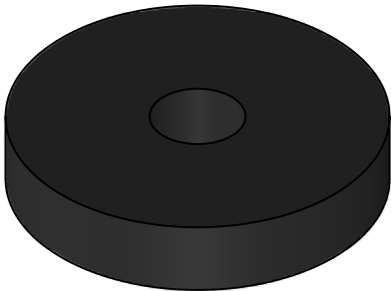
OUR CATALOGUE IS EVOLVING, IF YOU DON'T SEE YOUR COMPONENT CONTACT US FOR AVAILABILITY



MRM COMPONENTS

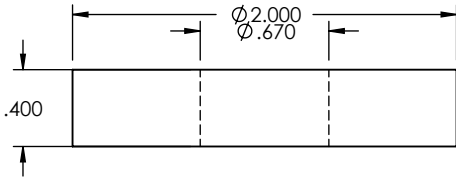
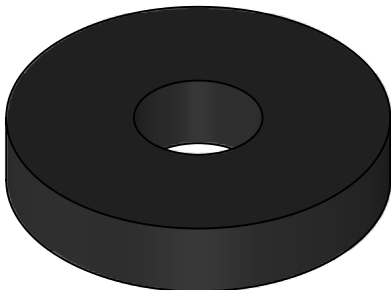
MRM COMPONENTS

Part No.:	USN-MRM-G2
Description:	MRM spacer seal
Color:	Black
Material:	TPE 40A



Scale 1:1

Part No.:	USN-MRM-G1
Description:	MRM spacer seal
Color:	Black
Material:	TPE 40A



Scale 1:1

Part No.:	-
Description:	-
Color:	-
Material:	-

YOUR CUSTOM PART HERE

Part No.:	-
Description:	-
Color:	-
Material:	-

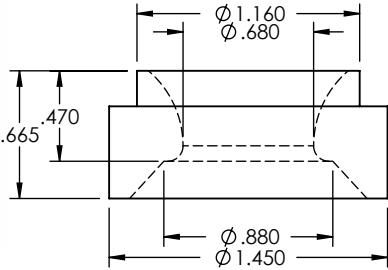
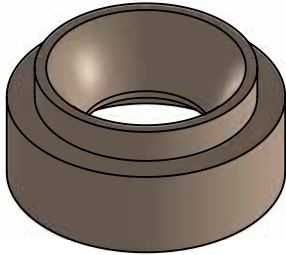
OUR CATALOGUE IS EVOLVING, IF YOU DON'T SEE YOUR COMPONENT CONTACT US FOR AVAILABILITY



O & H FILLER

O & H FILLER

Part No.:	USN-OH-12S
Description:	OH seal
Color:	Beige
Material:	TPU 80A



Scale 1:1

Part No.:	-
Description:	-
Color:	-
Material:	-

YOUR CUSTOM PART HERE

Part No.:	-
Description:	-
Color:	-
Material:	-

YOUR CUSTOM PART HERE

Part No.:	-
Description:	-
Color:	-
Material:	-

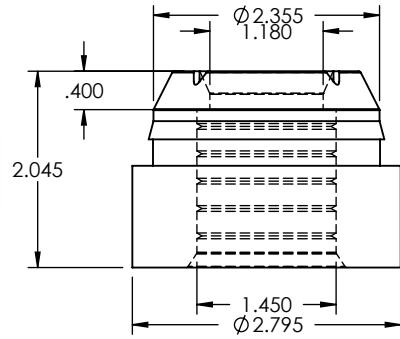
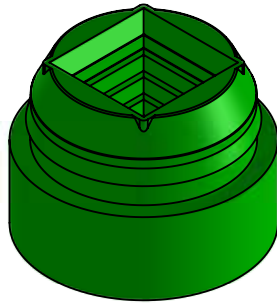
OUR CATALOGUE IS EVOLVING, IF YOU DON'T SEE YOUR COMPONENT CONTACT US FOR AVAILABILITY

A dynamic splash of water in shades of blue and white, moving from left to right across the middle of the page. The water is captured in mid-air, creating a sense of motion and freshness.

PASTURIZER COMPONENTS

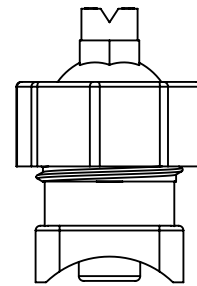
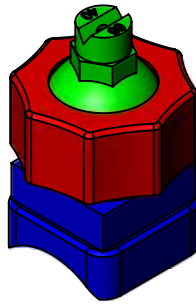
PASTURIZER COMPONENTS

Part No.:	USN-HK-BNG
Description:	HK Pasturizer bung
Color:	Green
Material:	Polyurethane 85A



Scale 1:2

Part No.:	Spray Nozzle
Description:	Various Spray Nozzles Available
Color:	-
Material:	-



Part No.:	-
Description:	-
Color:	-
Material:	-

YOUR CUSTOM PART HERE

Part No.:	-
Description:	-
Color:	-
Material:	-

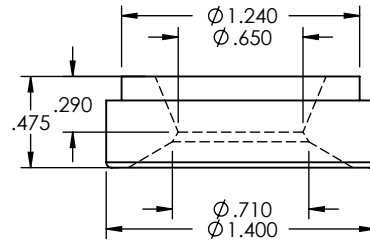
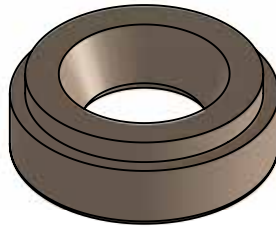
OUR CATALOGUE IS EVOLVING, IF YOU DON'T SEE YOUR COMPONENT CONTACT US FOR AVAILABILITY



SEITZ BRAND COMPONENTS

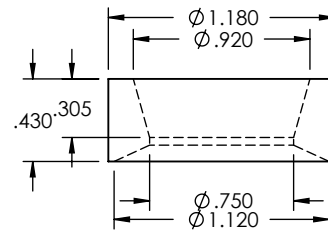
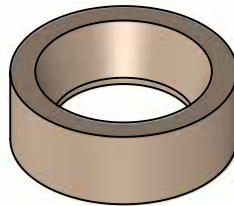
SEITZ BRAND COMPONENTS

Part No.:	USN-SE-10
Description:	Seitz insert seal
Color:	Beige
Material:	TPU 80A



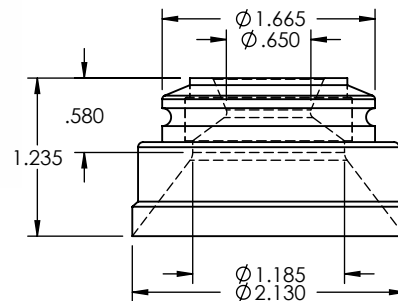
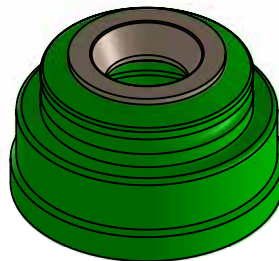
Scale 1:1

Part No.:	USN-SE-16
Description:	Seitz seal
Color:	Beige
Material:	TPU 80A



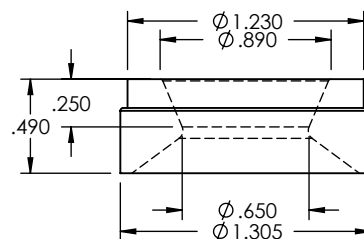
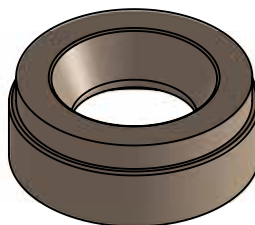
Scale 1:1

Part No.:	USN-SE-16-CSA
Description:	Seitz 2-piece seal
Color:	Green&White
Material:	Assembly



Scale 1:1.5

Part No.:	USN-SE-17
Description:	Seitz seal
Color:	Beige
Material:	TPU 80A



Scale 1:1

	Part No.:	USN-SE-MVA
	Description:	Seitz bell seal
	Color:	Beige
	Material:	TPU 80A
		Scale 1:1

<p>YOUR CUSTOM PART HERE</p>	Part No.:	-
	Description:	-
	Color:	-
	Material:	-
		-

<p>YOUR CUSTOM PART HERE</p>	Part No.:	-
	Description:	-
	Color:	-
	Material:	-
		-

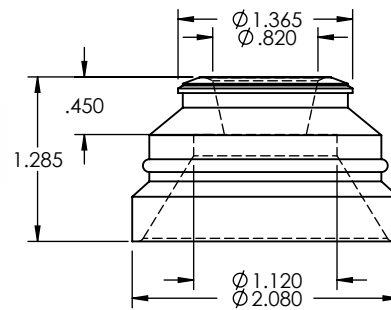
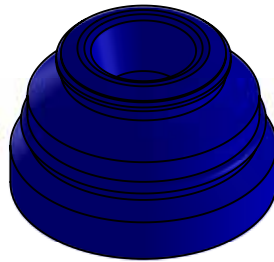
<p>OUR CATALOGUE IS EVOLVING, IF YOU DON'T SEE YOUR COMPONENT CONTACT US FOR AVAILABILITY</p>	Part No.:	-
	Description:	-
	Color:	-
	Material:	-
		-

A dynamic splash of water in shades of blue and white, moving from left to right across the middle of the page. The water is captured in mid-air, creating a sense of motion and freshness.

SEITZ CUSTOM COMPONENTS

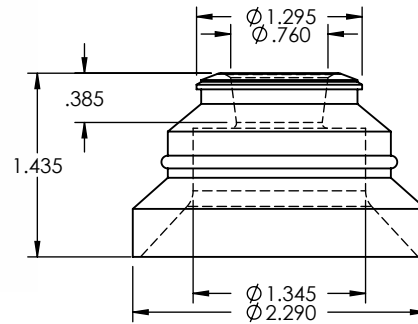
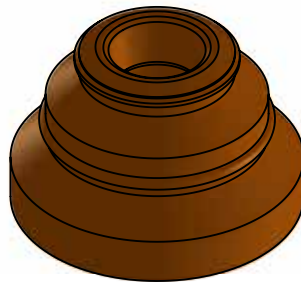
SEITZ CUSTOM COMPONENTS

Part No.:	USN-SE-1205
Description:	Seitz cup&seal assy.
Color:	Blue
Material:	TPU 85A



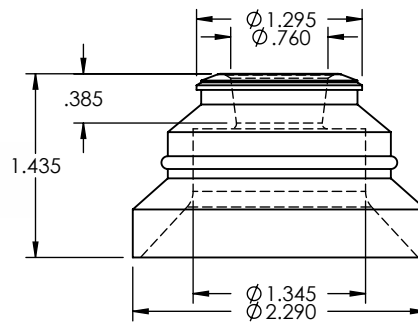
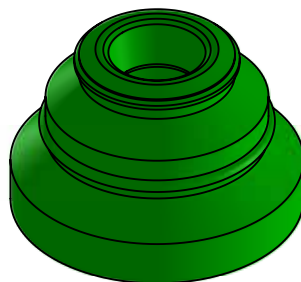
Scale 1:1.5

Part No.:	USN-SE-1350
Description:	Seitz cup&seal assy.
Color:	Orange
Material:	TPU 85A



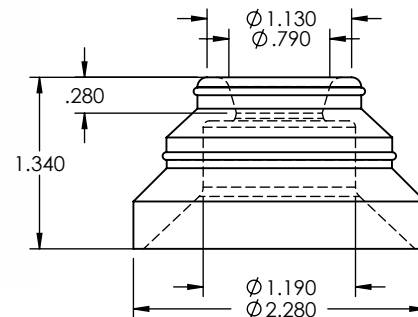
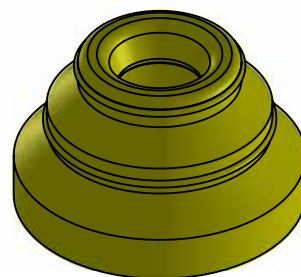
Scale 1:1.5

Part No.:	USN-SE-1350(X1)
Description:	Seitz cup&seal assy.
Color:	Green
Material:	TPU 80A

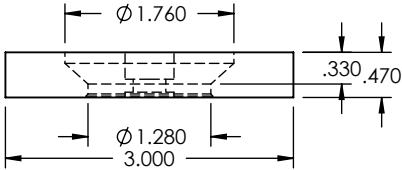
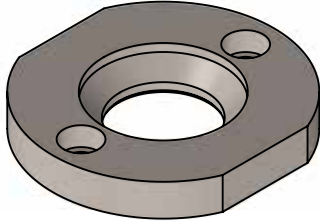


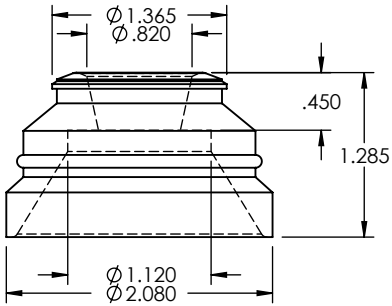
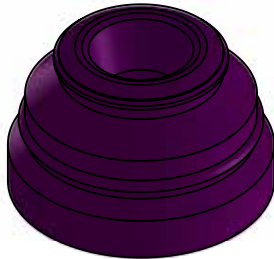
Scale 1:1.5

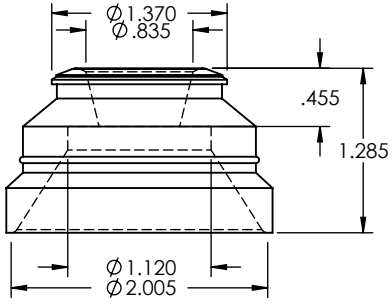
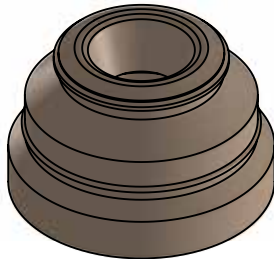
Part No.:	USN-SE-100S
Description:	Seitz cup&seal assy.
Color:	Yellow
Material:	TPU 85A

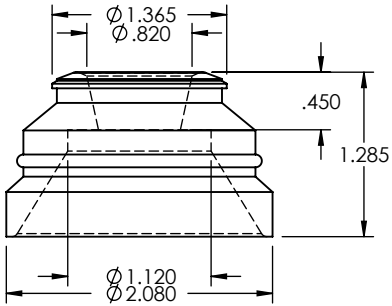



Scale 1:1.5

		Part No.:	USN-SE-CSHA
		Description:	Seitz holder
		Color:	N/A
		Material:	Stainless steel
		Scale 1:2	

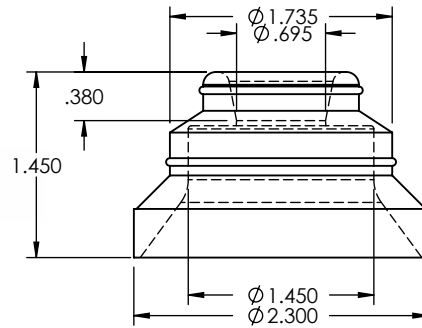
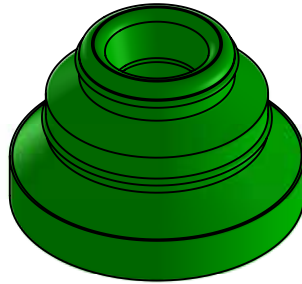
		Part No.:	USN-SE-T101MM
		Description:	Seitz cup&seal assy.
		Color:	Purple
		Material:	TPU 85A
		Scale 1:1.5	

		Part No.:	USN-SE-T1120
		Description:	Seitz cup&seal assy.
		Color:	Beige
		Material:	TPU 85A
		Scale 1:1.5	

		Part No.:	USN-SE-T99MM
		Description:	Seitz cup&seal assy.
		Color:	Black
		Material:	TPU 85A
		Scale 1:1.5	

SEITZ CUSTOM COMPONENTS

Part No.:	USN-SE-C103MX
Description:	Seitz cup & seal assy.
Color:	Green
Material:	TPU 85A



Scale 1:1.5

Part No.:	-
Description:	-
Color:	-
Material:	-

YOUR CUSTOM PART HERE

Part No.:	-
Description:	-
Color:	-
Material:	-

YOUR CUSTOM PART HERE

Part No.:	-
Description:	-
Color:	-
Material:	-

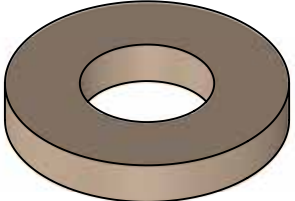
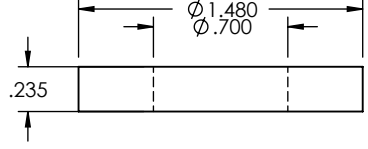
OUR CATALOGUE IS EVOLVING, IF YOU DON'T SEE YOUR COMPONENT CONTACT US FOR AVAILABILITY

A dynamic splash of water in shades of blue and white, moving from left to right across the middle of the page. The water is captured in mid-air, creating a sense of motion and freshness.

SIMONAZZI BRAND FILLER COMPONENTS

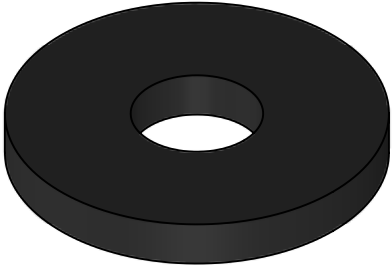
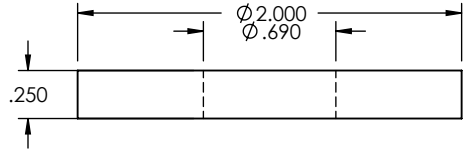
SIMONAZZI BRAND FILLER COMPONENTS

Part No.:	USN-SMZ-4870
Description:	Simonazzi gasket
Color:	Beige
Material:	TPE 60A

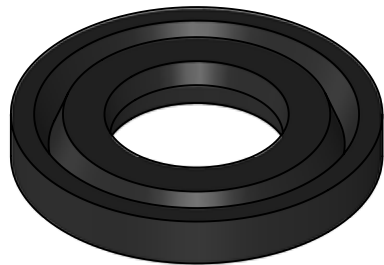
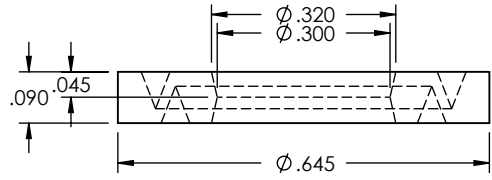
Scale 1:1

Part No.:	USN-SMZ-G700
Description:	Simonazzi gasket
Color:	Black
Material:	TPU 70A

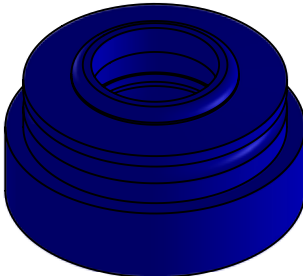
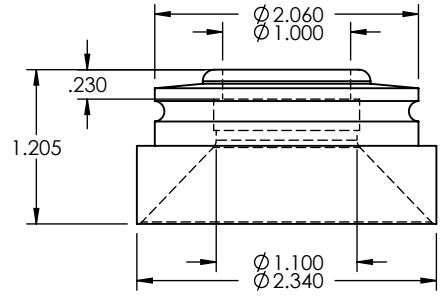
Scale 1:1

Part No.:	USN-SMZ-GAC-997
Description:	Simonazzi gasket
Color:	Black
Material:	TPU 80A

Scale 3:1

Part No.:	USN-SMZ-1105CA
Description:	Simonazzi cup&seal
Color:	Blue
Material:	TPU 74D

Scale 1:1.5

	Part No.:	USN-SMZ-1105M
	Description:	Simonazzi cup&seal
	Color:	Yellow
	Material:	TPU 85A
		Scale 1:1.5

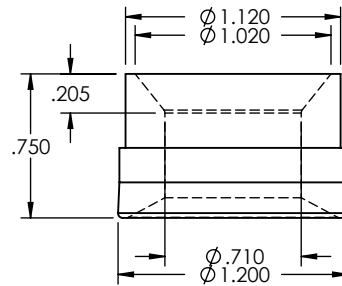
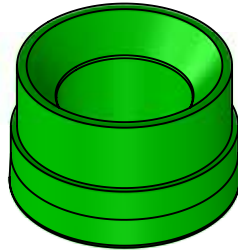
	Part No.:	USN-SMZ-127-S73
	Description:	Simonazzi replacement seal
	Color:	Beige
	Material:	TPE 73A
		Scale 1:1

	Part No.:	USN-SMZ-127W
	Description:	Simonazzi seal
	Color:	Beige
	Material:	TPU 80A
		Scale 1:1

	Part No.:	USN-SMZ-15
	Description:	Simonazzi seal
	Color:	Beige
	Material:	TPU 80A
		Scale 1:1

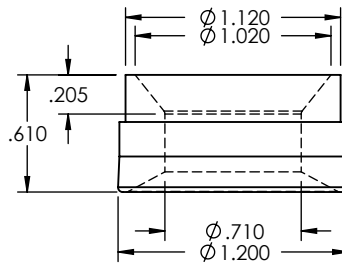
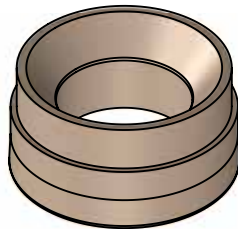
SIMONAZZI BRAND FILLER COMPONENTS

Part No.:	USN-SMZ-17
Description:	Simonazzi seal
Color:	Green
Material:	TPU 80A



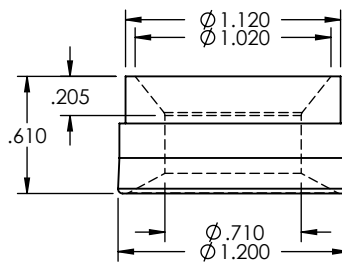
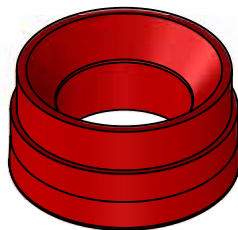
Scale 1:1

Part No.:	USN-SMZ-18
Description:	Simonazzi seal
Color:	Beige
Material:	TPU 80A



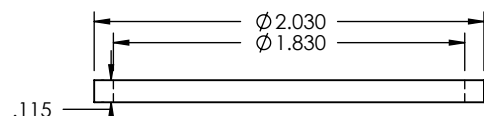
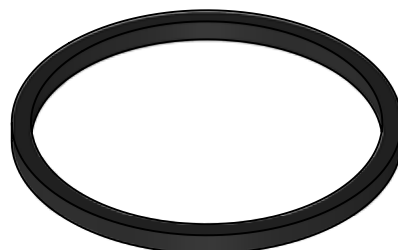
Scale 1:1

Part No.:	USN-SMZ-18R
Description:	Simonazzi seal
Color:	Red
Material:	TPU 80A

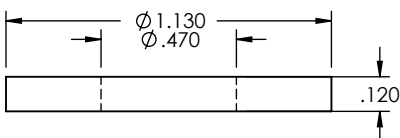
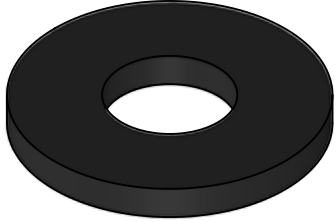


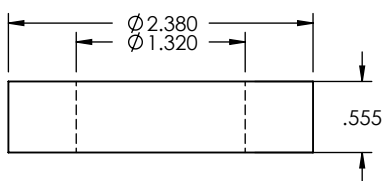
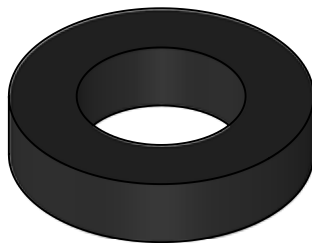
Scale 1:1

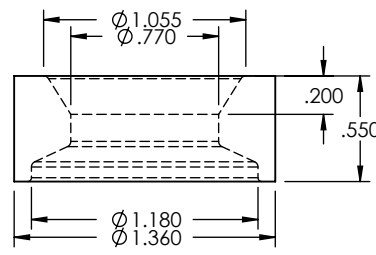
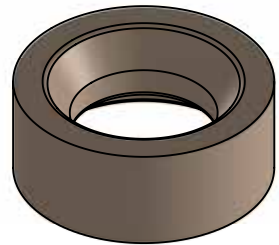
Part No.:	USN-SMZ-2000283-013
Description:	Simonazzi washer
Color:	Black
Material:	TPU 70A

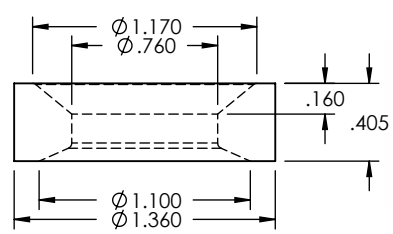
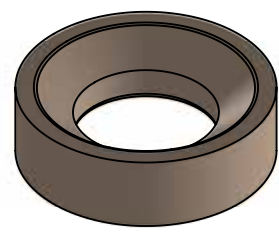


Scale 1:1

		Part No.:
		USN-SMZ-2007801-001
		Description:
		Simonazzi washer
		Color:
		Black
		Material:
		TPU 70A
		Scale 1.5:1

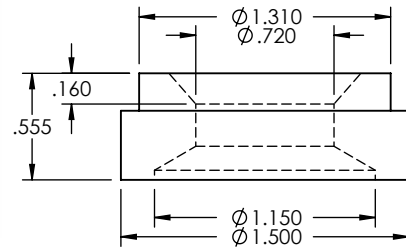
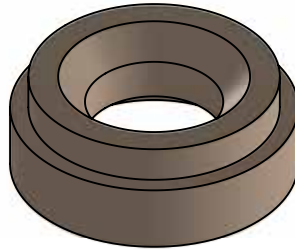
		Part No.:
		USN-SMZ-2017856-001
		Description:
		Disc for GEAS-CIP seal
		Color:
		Black
		Material:
		TPU 70A
		Scale 1:1.5

		Part No.:
		USN-SMZ-21
		Description:
		Simonazzi seal
		Color:
		Beige
		Material:
		TPU 70A
		Scale 1:1

		Part No.:
		USN-SMZ-25
		Description:
		Simonazzi seal
		Color:
		Beige
		Material:
		TPU 80A
		Scale 1:1

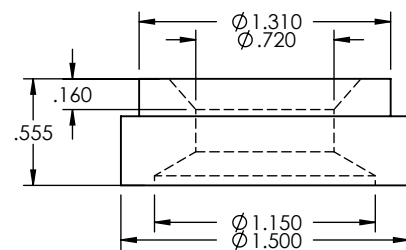
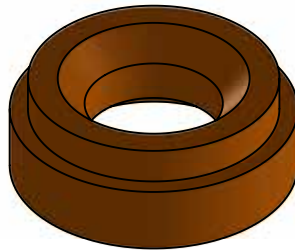
SIMONAZZI BRAND FILLER COMPONENTS

Part No.:	USN-SMZ-27
Description:	Simonazzi seal
Color:	Beige
Material:	TPU 80A



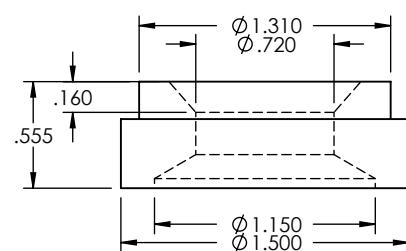
Scale 1:1

Part No.:	USN-SMZ-27-60
Description:	Simonazzi seal
Color:	Orange
Material:	TPU 60A



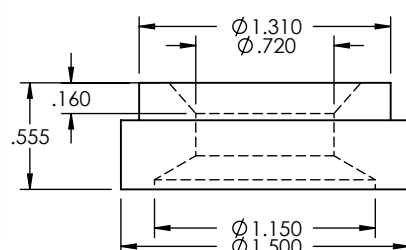
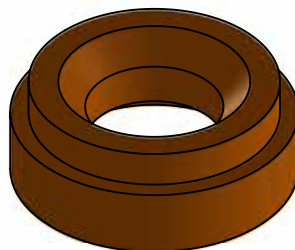
Scale 1:1

Part No.:	USN-2773-S
Description:	Simonazzi seal
Color:	Black
Material:	TPE 73A

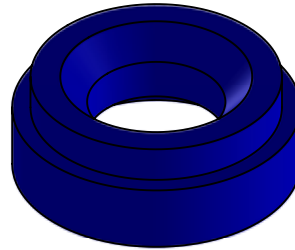
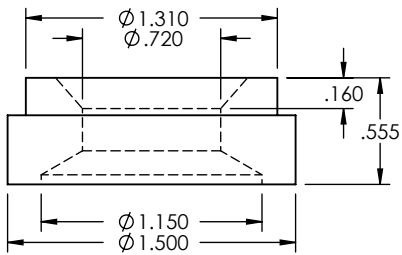


Scale 1:1

Part No.:	USN-SMZ-27-O
Description:	Simonazzi seal
Color:	Orange
Material:	TPU 60A

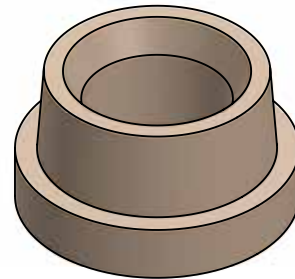
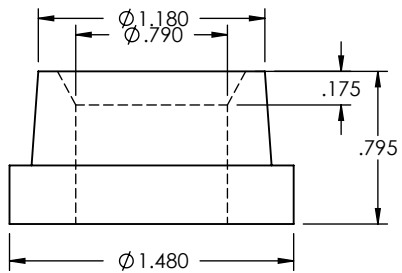


Scale 1:1



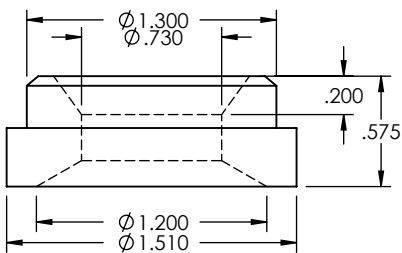
Part No.:	USN-SMZ-27S
Description:	Simonazzi seal
Color:	Blue
Material:	Santoprene 80A

Scale 1:1



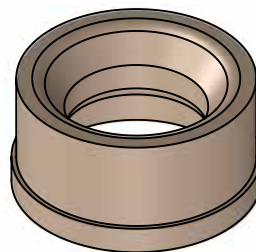
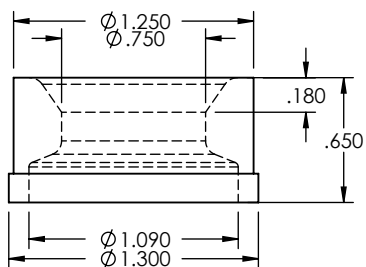
Part No.:	USN-SMZ-3001614
Description:	Simonazzi CIP cup/sesal
Color:	Beige
Material:	TPU 80A

Scale 1:1



Part No.:	USN-SMZ-45
Description:	Simonazzi seal
Color:	Black
Material:	TPE 45A

Scale 1:1

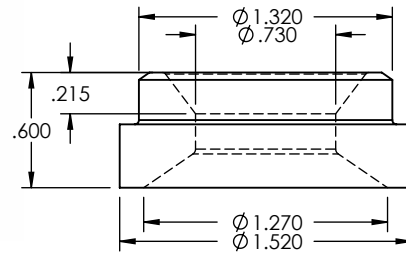
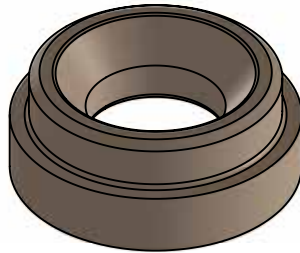


Part No.:	USN-SMZ-500
Description:	Simonazzi seal
Color:	Beige
Material:	TPU 80A

Scale 1:1

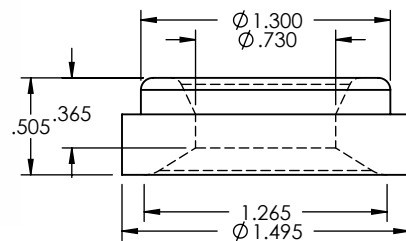
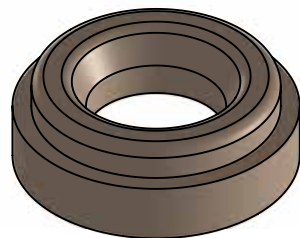
SIMONAZZI BRAND FILLER COMPONENTS

Part No.:	USN-SMZ-586A
Description:	Simonazzi seal
Color:	Beige
Material:	TPU 80A



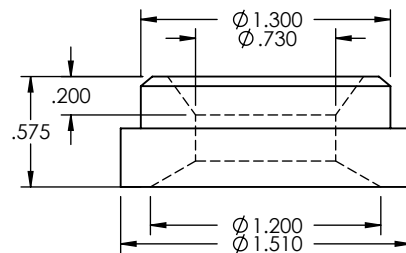
Scale 1:1

Part No.:	USN-SMZ-586B
Description:	Simonazzi seal
Color:	Beige
Material:	TPU 80A



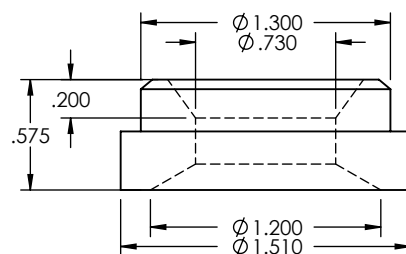
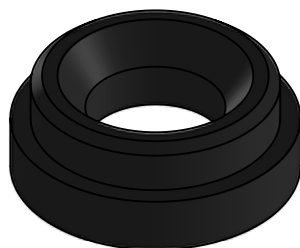
Scale 1:1

Part No.:	USN-SMZ-64
Description:	Simonazzi seal
Color:	Black
Material:	TPE 64A

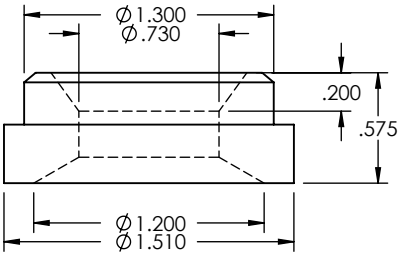
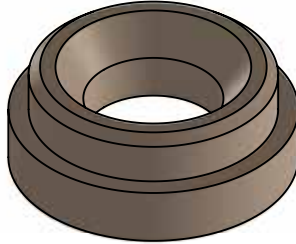


Scale 1:1

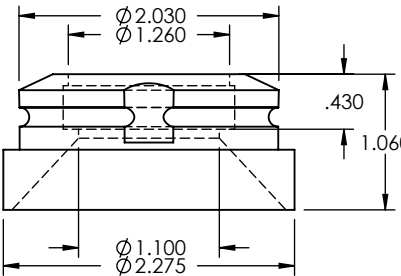
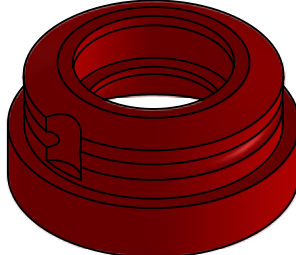
Part No.:	USN-SMZ-80
Description:	Simonazzi seal
Color:	Black
Material:	TPE 80A

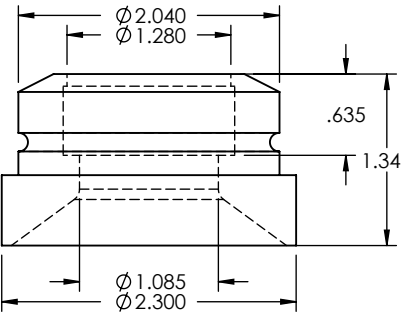
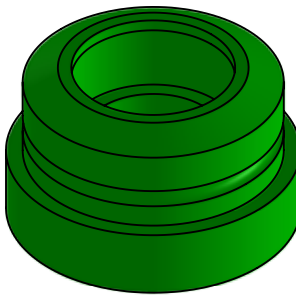


Scale 1:1

		Part No.: USN-SMZ-80B
		Description: Simonazzi seal
		Color: Beige
		Material: TPE 80A
		Scale 1:1

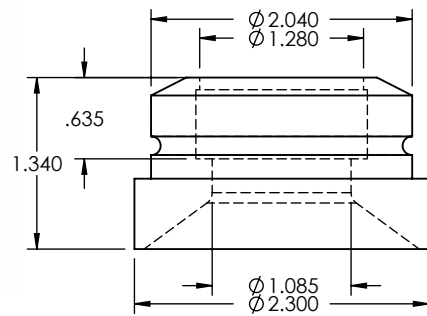
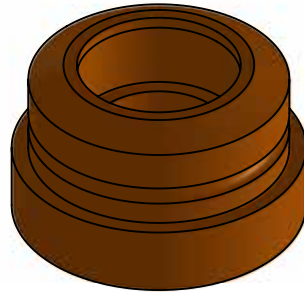
		Part No.: USN-SMZ-8055A
		Description: Simonazzi seal
		Color: Black
		Material: TPE 55A
		Scale 1:1

		Part No.: USN-SMZ-B10
		Description: Simonazzi liquid seal
		Color: Red
		Material: PVDF
		Scale 1:1.5

		Part No.: USN-SMZ-B10-70
		Description: Simonazzi centering cup
		Color: Green
		Material: PVDF
		Scale 1:1.5

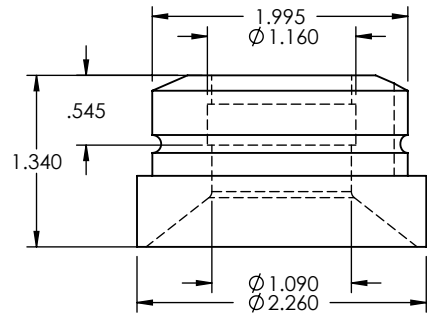
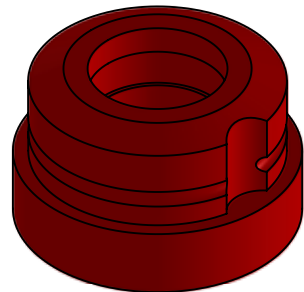
SIMONAZZI BRAND FILLER COMPONENTS

Part No.:	USN-SMZ-B1070-OG
Description:	Simonazzi delrin centering cup
Color:	Orange
Material:	PVDF



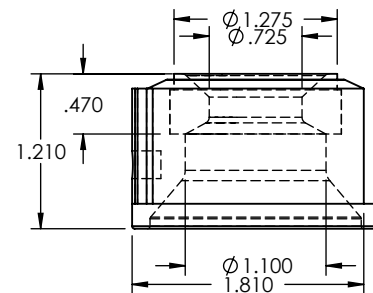
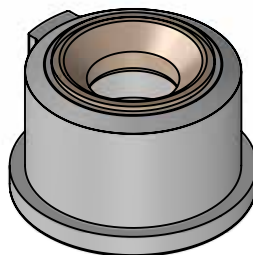
Scale 1:1.5

Part No.:	USN-SMZ-B10K
Description:	Simonazzi cup
Color:	Red
Material:	PVDF



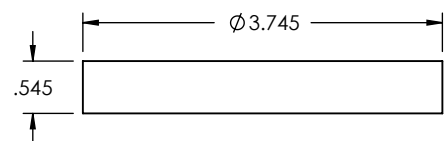
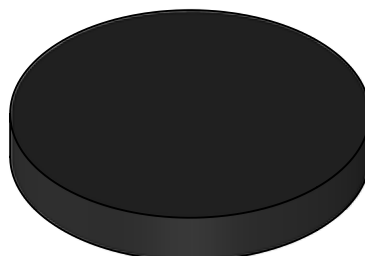
Scale 1:1.5

Part No.:	USN-SMZ-C100-A
Description:	Simonazzi centering cup
Color:	White
Material:	PVDF

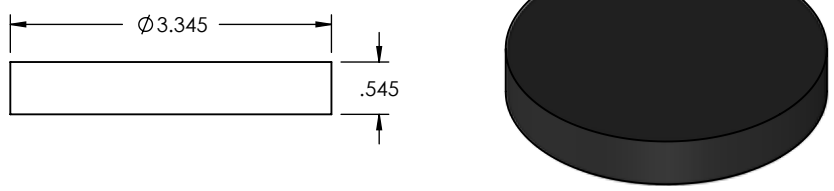


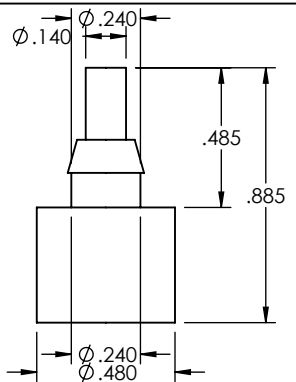
Scale 1:1.5

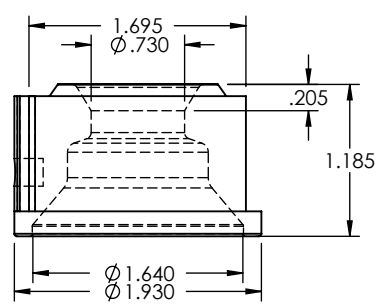
Part No.:	USN-SMZ-CPL
Description:	Simonazzi crowner pad-large
Color:	Black
Material:	TPU 85A

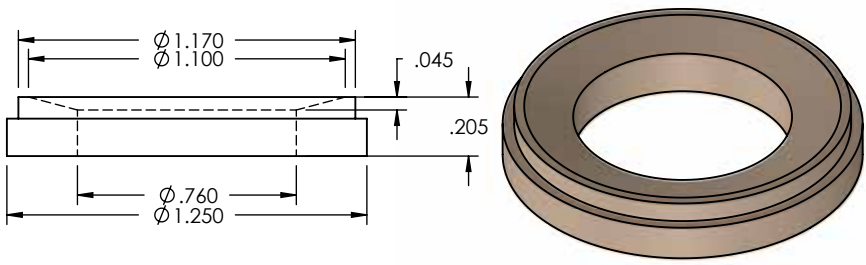


Scale 1:2

	Part No.:	USN-SMZ-CPS
	Description:	Simonazzi crowner pad-small
	Color:	Black
	Material:	TPU 85A
		Scale 1:2

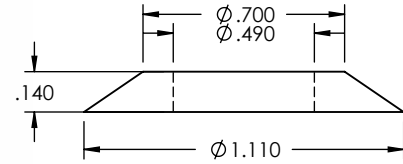
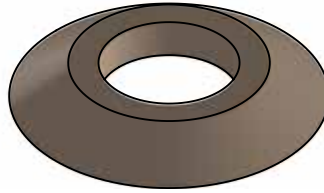
	Part No.:	USN-SMZ-GEA-533
	Description:	Simonazzi impact pad
	Color:	Black
	Material:	TPE 64A
		Scale 1.5:1

	Part No.:	USN-SMZ-GEA-600
	Description:	Simonazzi seal
	Color:	Beige
	Material:	TPU 85A
		Scale 1:1.5

	Part No.:	USN-SMZ-GZY198
	Description:	Simonazzi valve seal
	Color:	Beige
	Material:	TPU 80A
		Scale 1.5:1

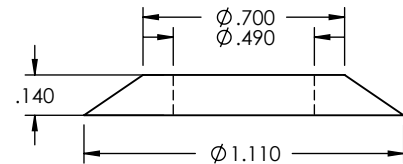
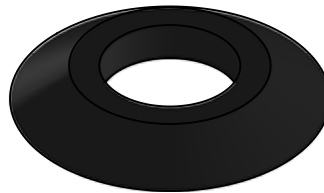
SIMONAZZI BRAND FILLER COMPONENTS

Part No.:	USN-SMZ-LS1
Description:	Simonazzi liquid seal
Color:	Beige
Material:	TPU 80A



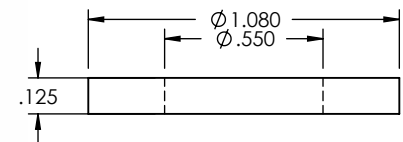
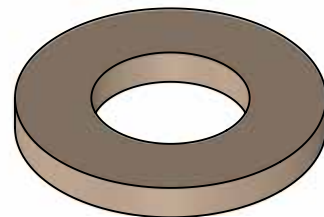
Scale 1.5:1

Part No.:	USN-SMZ-LS1(SB)
Description:	Simonazzi liquid seal
Color:	Black
Material:	TPE 80A



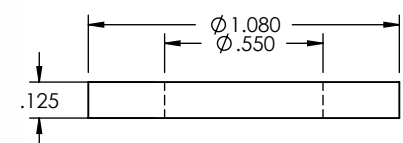
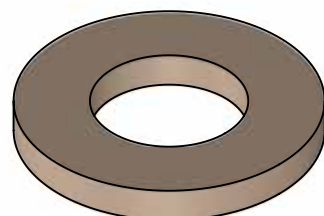
Scale 1.5:1

Part No.:	USN-SMZ-LS3
Description:	Simonazzi liquid seal
Color:	Beige
Material:	TPU 80A



Scale 1.5:1

Part No.:	USN-SMZ-LS3-S73
Description:	Simonazzi liquid seal
Color:	Beige
Material:	TPE 73A



Scale 1.5:1

	Part No.: USN-SMZ-LS4
	Description: Simonazzi liquid seal
	Color: Beige
	Material: TPU 80A
Scale 1:1	

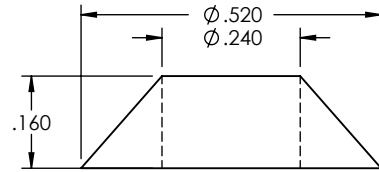
	Part No.: USN-SMZ-LS5
	Description: Simonazzi liquid seal
	Color: Black
	Material: TPE 80A
Scale 1.5:1	

	Part No.: USN-SMZ-LS6
	Description: Simonazzi liquid seal
	Color: Beige
	Material: TPU 80A
Scale 1:1	

	Part No.: USN-SMZ-LSP2
	Description: Simonazzi liquid spreader
	Color: Beige
	Material: TPU 80A
Scale 3:1	

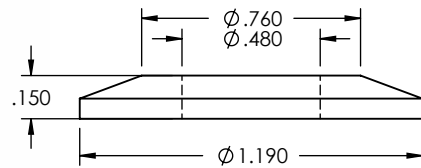
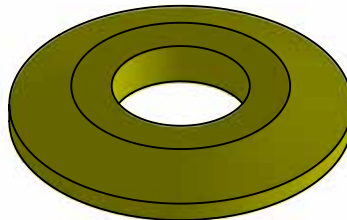
SIMONAZZI BRAND FILLER COMPONENTS

Part No.:	USN-SMZ-LSP500
Description:	Simonazzi liquid seal
Color:	Black
Material:	TPU 80A



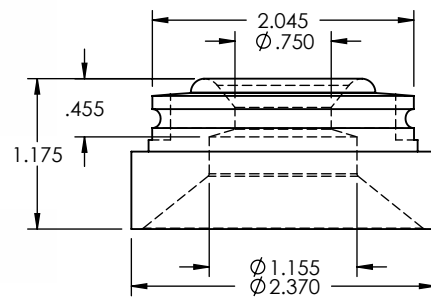
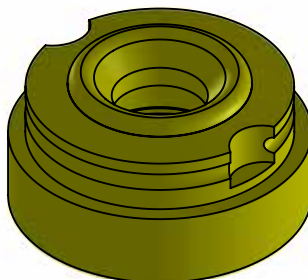
Scale 3:1

Part No.:	USN-SMZ-MBL1
Description:	Simonazzi liquid seal
Color:	Yellow
Material:	TPU 80A



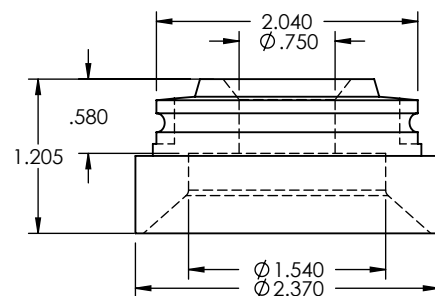
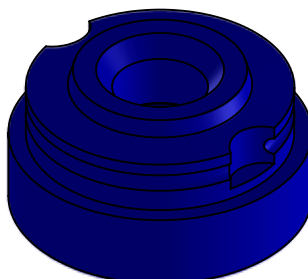
Scale 1.5:1

Part No.:	USN-SMZ-OP28
Description:	Simonazzi one piece seal-28mm
Color:	Yellow
Material:	TPU 90A



Scale 1:1.5

Part No.:	USN-SMZ-OP38
Description:	Simonazzi one piece seal-38mm
Color:	Blue
Material:	TPU 85A



Scale 1:1.5

	Part No.:	USN-SMZ-OPC-100
	Description:	Simonazzi centering cup
	Color:	White
	Material:	Delrin
Replaces screw together cups.		Scale 1:1.5

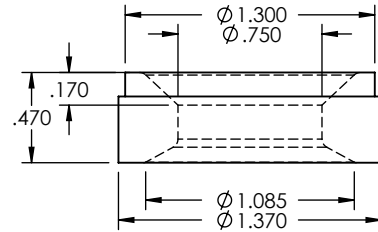
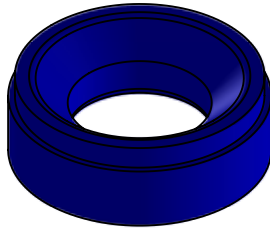
	Part No.:	USN-SMZ-OPC-100B
	Description:	Simonazzi centering cup
	Color:	Black
	Material:	Delrin
Replaces screw together cups.		Scale 1:1.5

	Part No.:	USN-SMZ-S1000
	Description:	Simonazzi centering cup
	Color:	Beige
	Material:	TPU 80A
Replaces screw together cups.		Scale 1:1

	Part No.:	USN-SMZ-S1000-70A
	Description:	Simonazzi centering cup
	Color:	Yellow
	Material:	TPU 70A
Replaces screw together cups.		Scale 1:1

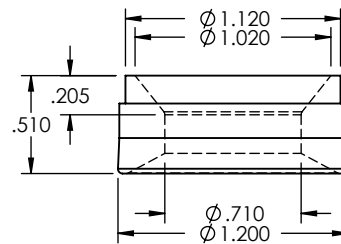
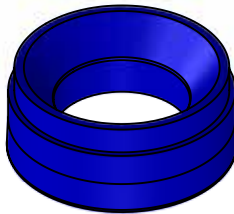
SIMONAZZI BRAND FILLER COMPONENTS

Part No.:	USN-SMZ-S1000-85A
Description:	Simonazzi centering cup
Color:	Blue
Material:	TPU 85A



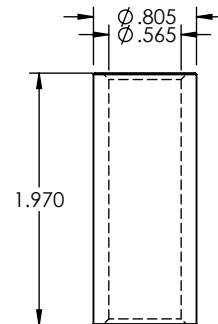
Scale 1:1

Part No.:	USN-SMZ-10MM
Description:	Simonazzi seal
Color:	Blue
Material:	TPU 80A



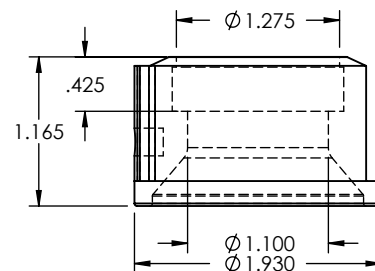
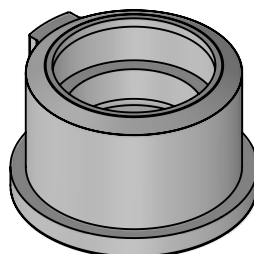
Scale 1:1

Part No.:	USN-SMZ-SB
Description:	Simonazzi spacer bushing
Color:	White
Material:	Delrin



Scale 1:1.5

Part No.:	USN-SMZ-C100
Description:	Simonazzi centering cup
Color:	White
Material:	PVDF



Scale 1:1.5

	Part No.:	USN-SMZ-SS
	Description:	Simonazzi spring stop
	Color:	White
	Material:	Delrin
Scale 1.5:1		

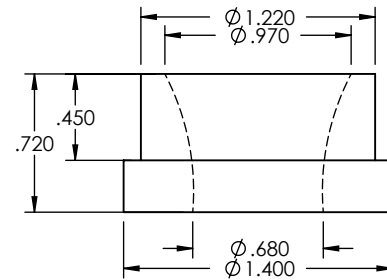
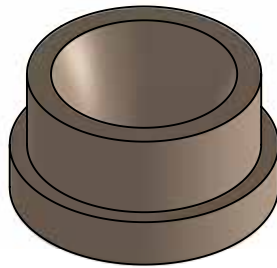
	Part No.:	USN-SMZ-VCB
	Description:	Simonazzi valve seal
	Color:	Black
	Material:	TPE 80A
Scale 1:1		

	Part No.:	USN-SMZ-SUPRING
	Description:	Simonazzi supporting ring
	Color:	Yellow
	Material:	TPU 90A
Scale 1:1.5		

	Part No.:	USN-SMZ-394-014G
	Description:	Simonazzi gasket seal
	Color:	Beige
	Material:	TPE 73A
Scale 1.5:1		

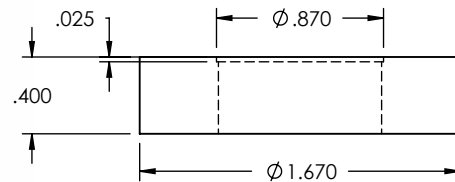
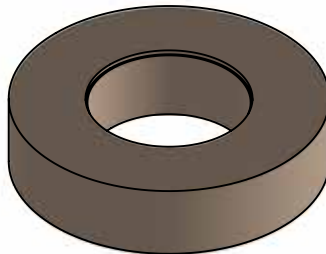
SIMONAZZI BRAND FILLER COMPONENTS

Part No.:	USN-SMZ-10000-395
Description:	Simonazzi bottle seal
Color:	Beige
Material:	TPU 80A



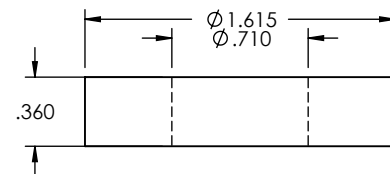
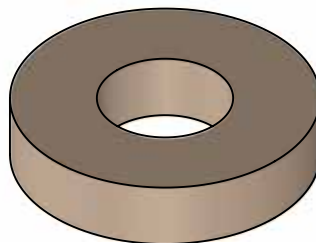
Scale 1:1

Part No.:	USN-SMZ-13000-604
Description:	Simonazzi bottle seal
Color:	Beige
Material:	TPE 80A



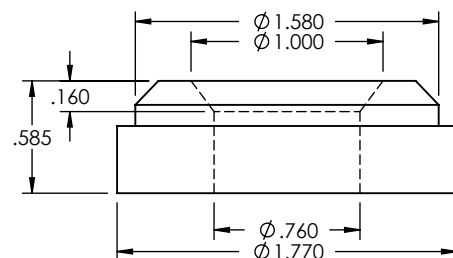
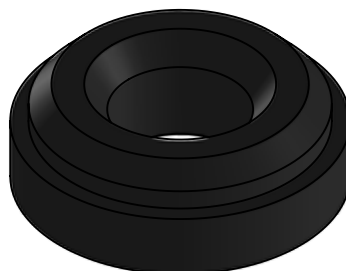
Scale 1:1

Part No.:	USN-SMZ-13000-605
Description:	Simonazzi bottle seal
Color:	Beige
Material:	TPE 80A



Scale 1:1

Part No.:	USN-SMZ-5000-005F3-64
Description:	Simonazzi 38mm bottle seal
Color:	Black
Material:	TPE 64A



Scale 1:1

	Part No.: USN-SMZ-5000-005F3-80B
	Description: Simonazzi 38mm bottle seal
	Color: Blue
	Material: TPU 80A
Scale 1:1	

	Part No.: USN-SMZ-6000-946
	Description: Simonazzi impact seal
	Color: Yellow
	Material: TPU 80A
Scale 1:1	

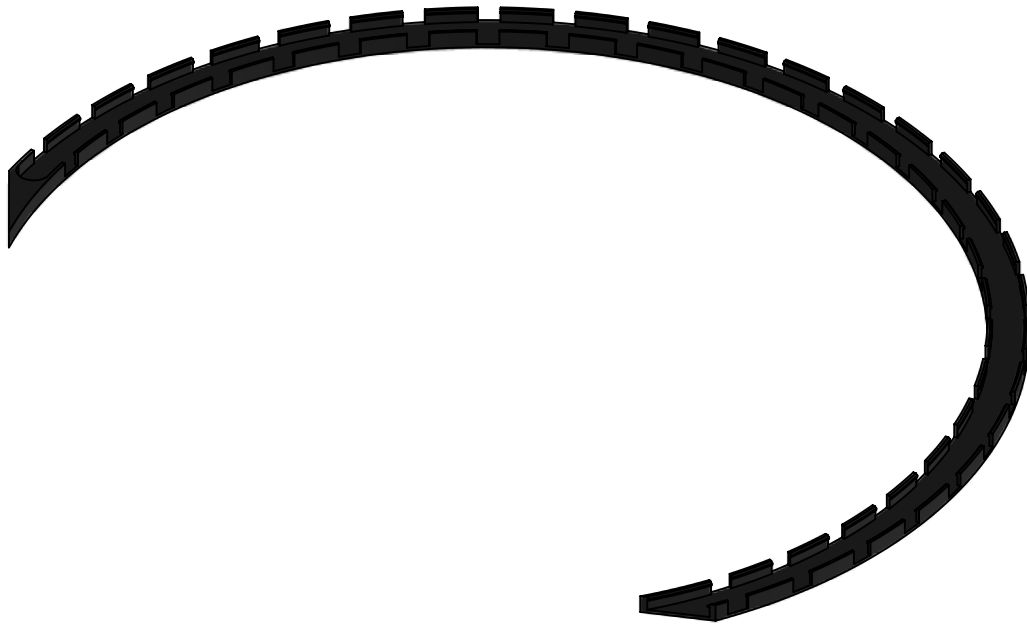
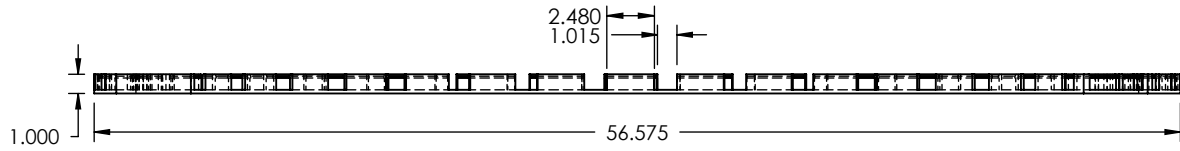
	Part No.: USN-SMZ-6000-947
	Description: Simonazzi impact seal
	Color: Orange
	Material: TPU 80A
Scale 1:1	

	Part No.: USN-SMZ-G1
	Description: Simonazzi gasket
	Color: Black
	Material: TPU 70A
Scale 1:1.5	

SIMONAZZI BRAND FILLER COMPONENTS

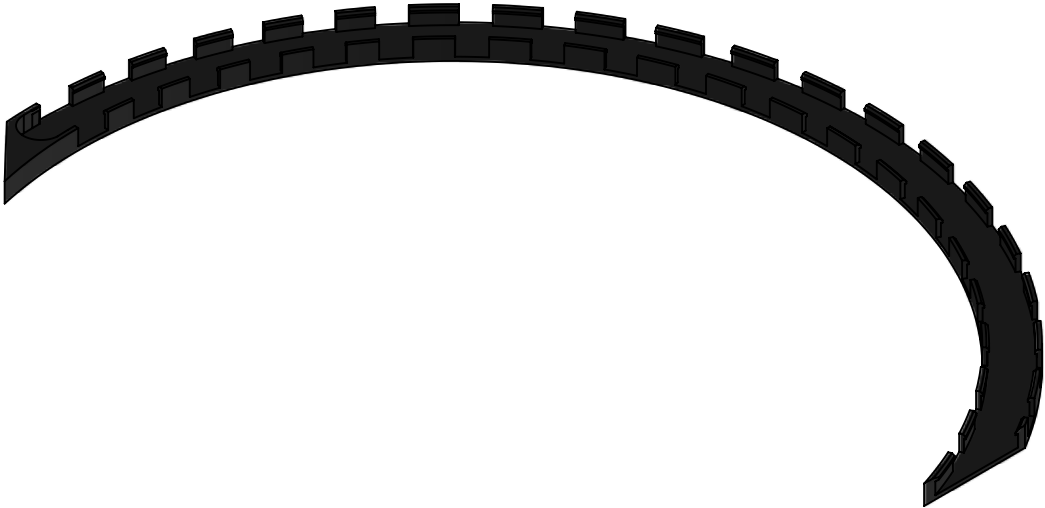
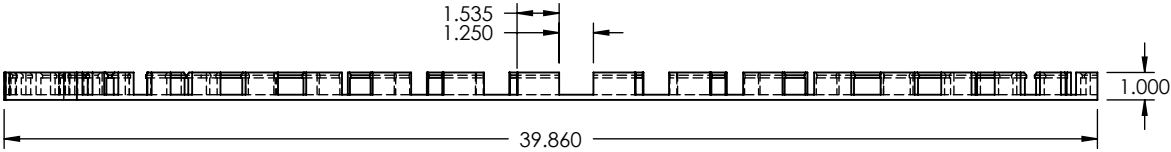
Part No.:	USN-Z125738
Description:	Filler wear strip
Color:	Black
Material:	UHMW

Scale 1:10



Part No.:	USN-Z125745
Description:	Filler wear strip
Color:	Black
Material:	UHMW

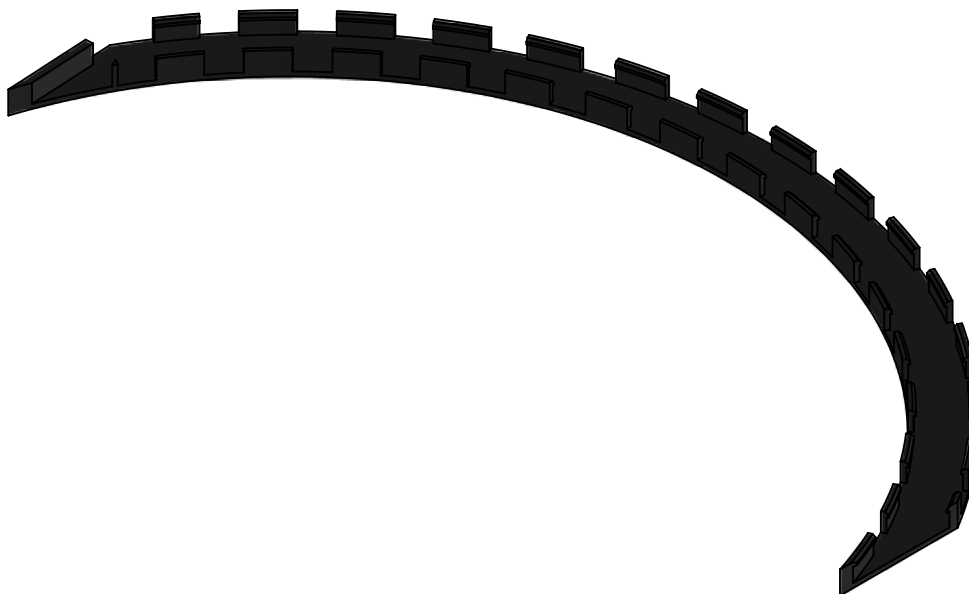
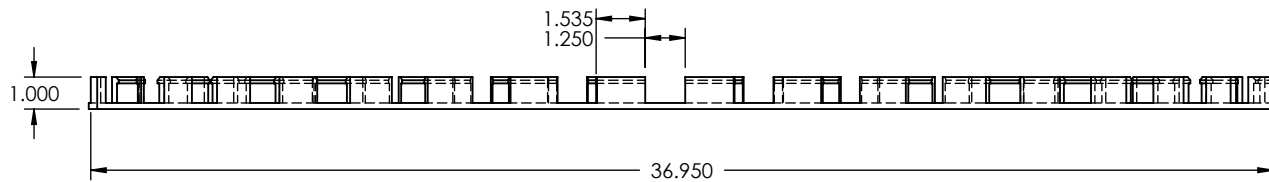
Scale 1:7



SIMONAZZI BRAND FILLER COMPONENTS

Part No.:	USN-Z125756
Description:	Filler wear strip
Color:	Black
Material:	UHMW

Scale 1:6



	Part No.:	USN-SMZ-33
	Description:	Simonazzi insert seal
	Color:	Beige
	Material:	TPU 80A
Scale 1:1		

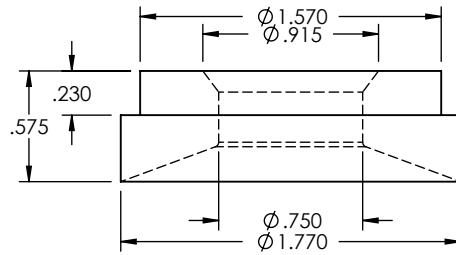
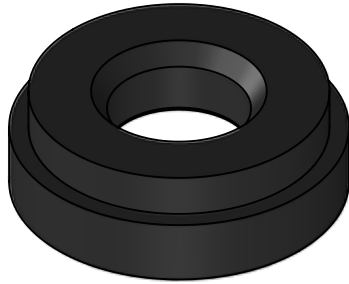
	Part No.:	USN-SMZ-IS
	Description:	Simonazzi impact seal
	Color:	Beige
	Material:	TPU 80A
Scale 1.5:1		

	Part No.:	USN-VS-G1
	Description:	Simonazzi seal
	Color:	Beige
	Material:	TPU 80A
Scale 1:1		

	Part No.:	USN-SAR-04278832701
	Description:	Insert seal
	Color:	Beige
	Material:	TPU 80A
Scale 1:1		

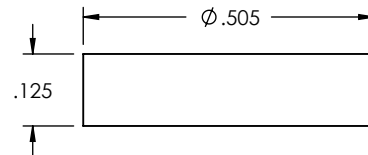
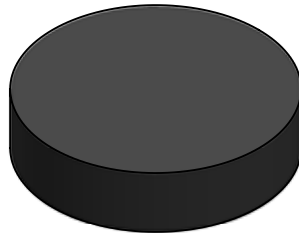
SIMONAZZI BRAND FILLER COMPONENTS

Part No.:	USN-SMZ-20152940
Description:	Simonazzi 38mm insert seal
Color:	Black
Material:	TPE 80A



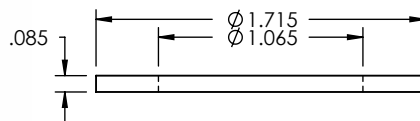
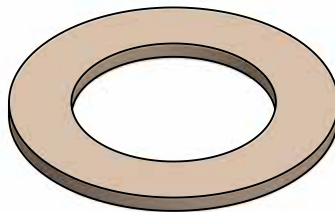
Scale 1:1

Part No.:	USN-SMZ-7000-45S
Description:	Simonazzi gas seal
Color:	Black
Material:	TPE 55A



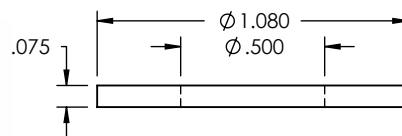
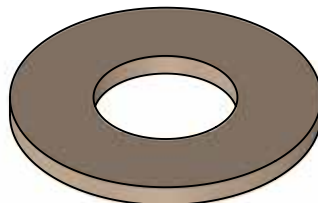
Scale 3:1

Part No.:	USN-SMZ-VS1
Description:	Simonazzi seal
Color:	Beige
Material:	TPU 80A



Scale 1:1

Part No.:	USN-SB-LS1
Description:	Simonazzi seal
Color:	Beige
Material:	TPU 80A



Scale 1.5:1

	Part No.:	USN-SMZ-CIP
	Description:	CIP-seal
	Color:	Beige
	Material:	TPU 80A
Scale 1:1		

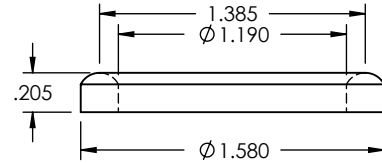
	Part No.:	USN-VS-CBS
	Description:	Simonazzi seal
	Color:	Beige
	Material:	TPE 80A
Scale 1:1		

	Part No.:	USN-PM-S
	Description:	Simonazzi insert seal
	Color:	Beige
	Material:	TPU 80A
Scale 1:1		

	Part No.:	USN-PM-5930-U
	Description:	Promac seal
	Color:	Beige
	Material:	TPU 80A
Scale 1:1		

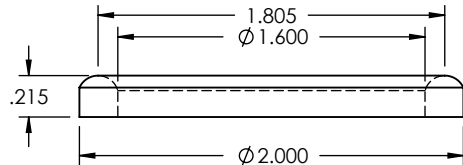
SIMONAZZI BRAND FILLER COMPONENTS

Part No.:	USN-PM-1.6
Description:	O-ring
Color:	Black
Material:	TPU 80A



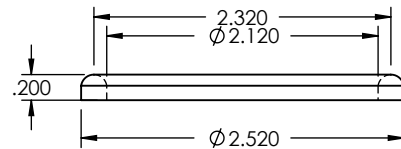
Scale 1:1

Part No.:	USN-PM-2
Description:	O-ring
Color:	Black
Material:	TPU 80A



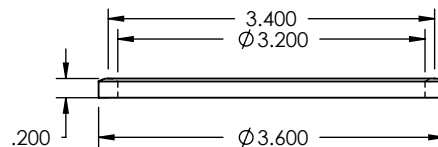
Scale 1:1

Part No.:	USN-PM-2.5
Description:	O-ring
Color:	Black
Material:	TPU 80A



Scale 1:1.5

Part No.:	USN-PM-3.6
Description:	O-ring
Color:	Black
Material:	TPU 80A



Scale 1:2

	Part No.:	USN-PM-4.5
	Description:	O-ring
	Color:	Black
	Material:	TPU 80A

Scale 1:2.5

	Part No.:	USN-PM-SS-55
	Description:	Sabis 55A seal
	Color:	Beige
	Material:	TPE 55A

Scale 1:1

	Part No.:	USN-PM-SS-78
	Description:	Sabis 78A seal
	Color:	Beige
	Material:	TPE 55A

Scale 1:1

	Part No.:	USN-PM-SS78-1881
	Description:	Sealing rubber
	Color:	Beige
	Material:	TPU 80A

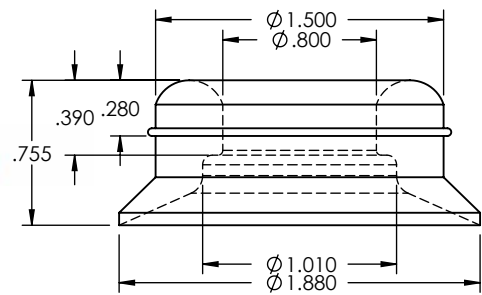
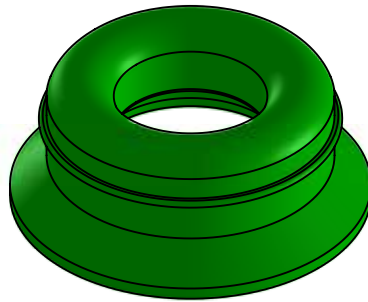
Scale 1:1

A dynamic splash of water in shades of blue and white, moving from left to right across the middle of the page. The water is captured in mid-air, creating a sense of motion and freshness.

UNIVERSAL VALVE SEALS

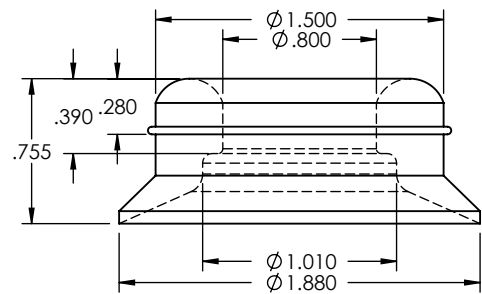
UNIVERSAL VALVE SEALS

Part No.:	USN-5037G
Description:	28mm high flow seal
Color:	Green
Material:	TPU 80A



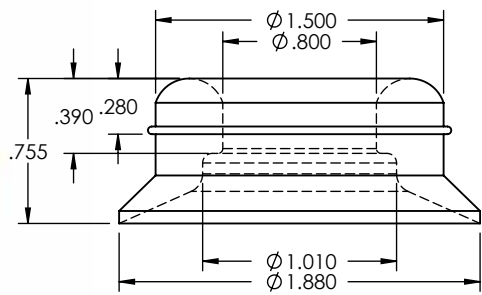
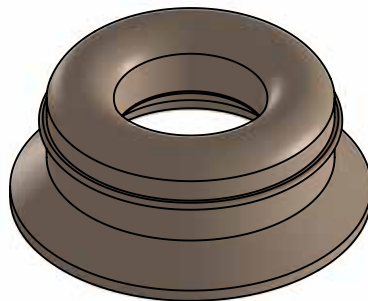
Scale 1:1

Part No.:	USN-5037G-85
Description:	28mm high flow seal
Color:	Black
Material:	TPU 85A



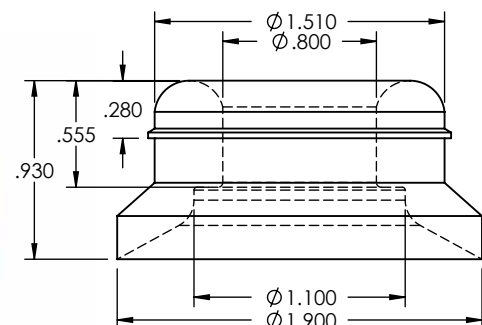
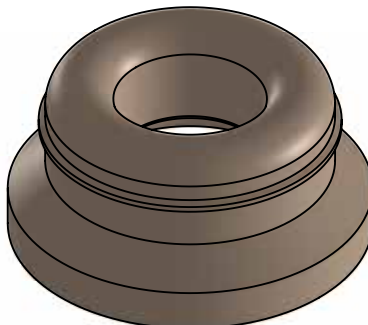
Scale 1:1

Part No.:	USN-5037G-70
Description:	28mm high flow seal
Color:	Natural
Material:	TPU 70A



Scale 1:1

Part No.:	USN-UP-1881
Description:	Universal valve seal
Color:	Natural
Material:	TPU 70A



Scale 1:1

	Part No.:	USN-UP-1881-BLUE
	Description:	Universal seal
	Color:	Blue
	Material:	TPU 70A
		Scale 1:1

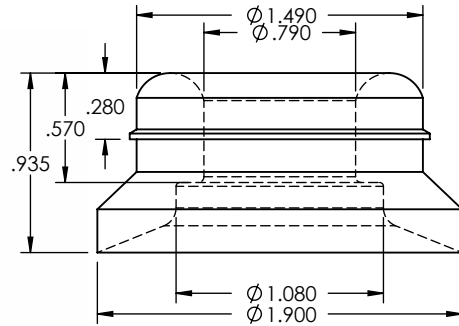
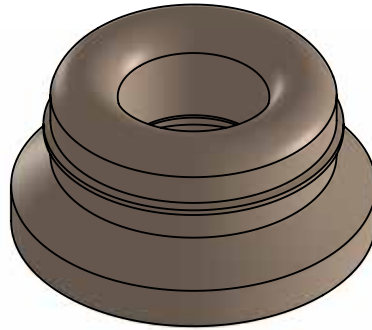
	Part No.:	USN-UP-28-1881B
	Description:	Universal seal
	Color:	Black
	Material:	TPU 70A
		Scale 1:1

	Part No.:	USN-UP-5036-1881
	Description:	Universal seal
	Color:	Black
	Material:	TPU 73A
		Scale 1:1

	Part No.:	USN-UP-5036-SS
	Description:	Universal seal w/short skirt
	Color:	Green
	Material:	TPU 85A
		Scale 1:1

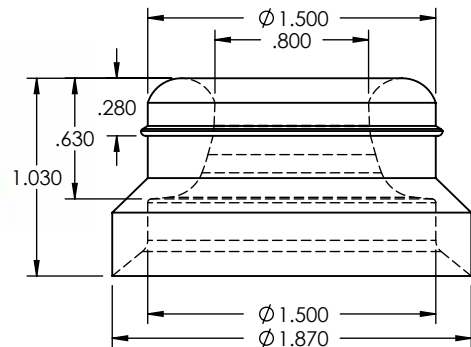
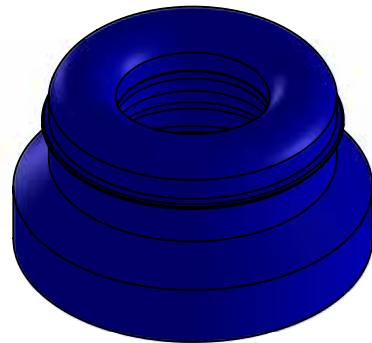
UNIVERSAL VALVE SEALS

Part No.:	USN-UP-5037-1881
Description:	Universal seal
Color:	Beige
Material:	TPU 80A



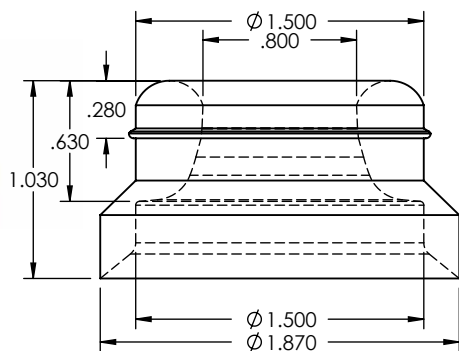
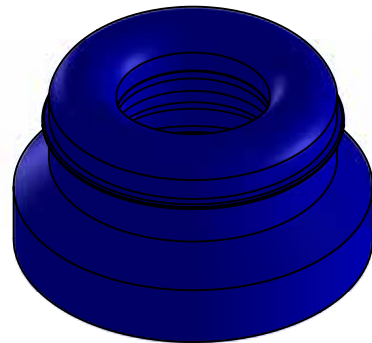
Scale 1:1

Part No.:	USN-UP-5039
Description:	Universal seal
Color:	Blue
Material:	TPU 80A



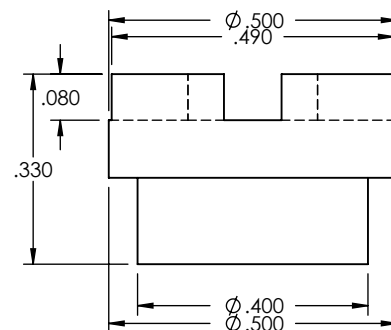
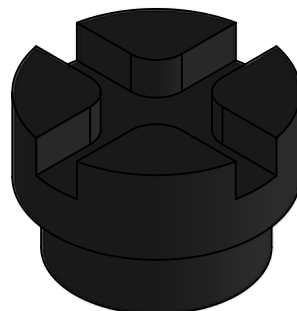
Scale 1:1

Part No.:	USN-UP-5039-70
Description:	Universal seal
Color:	Blue
Material:	TPU 70A



Scale 1:1

Part No.:	USN-UP-CPS
Description:	Universal counter pressure seal
Color:	Black
Material:	TPE 70A



Scale 3:1

	Part No.:	USN-UP-VS1
	Description:	Universal seal
	Color:	Black
	Material:	TPE 73A
		Scale 2:1

YOUR CUSTOM PART HERE	Part No.:	-
	Description:	-
	Color:	-
	Material:	-
		-

YOUR CUSTOM PART HERE	Part No.:	-
	Description:	-
	Color:	-
	Material:	-
		-

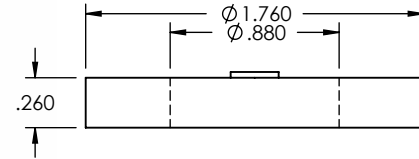
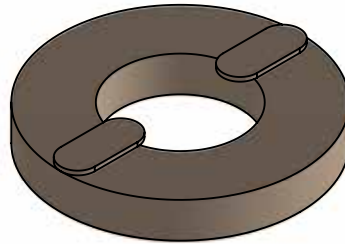
OUR CATALOGUE IS EVOLVING, IF YOU DON'T SEE YOUR COMPONENT CONTACT US FOR AVAILABILITY	Part No.:	-
	Description:	-
	Color:	-
	Material:	-
		-

A dynamic splash of water in shades of blue and white, moving from left to right across the middle of the page. The water is captured in mid-air, creating a sense of motion and freshness.

US FILLER COMPONENTS

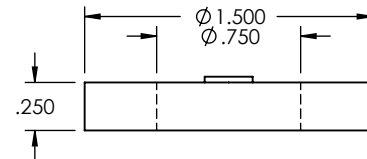
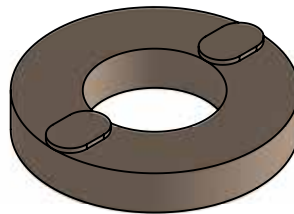
US FILLER COMPONENTS

Part No.:	USN-1803-64S
Description:	US seal
Color:	Beige
Material:	TPE 64A



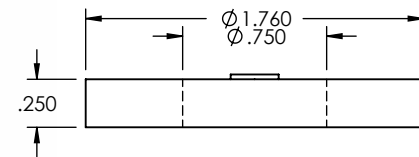
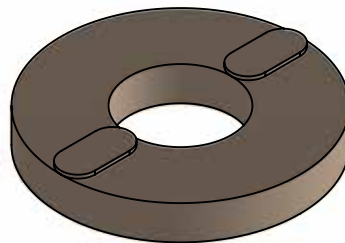
Scale 1:1

Part No.:	USN-1804-64S
Description:	US seal
Color:	Beige
Material:	TPE 64A



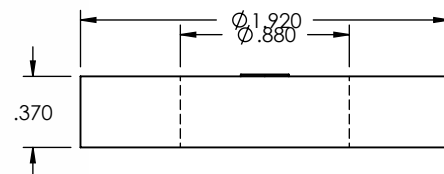
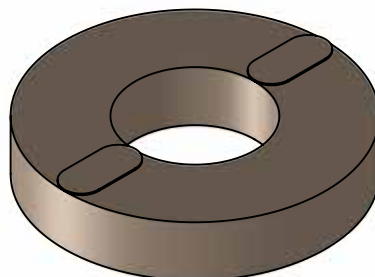
Scale 1:1

Part No.:	USN-1805-64S
Description:	US seal
Color:	Beige
Material:	TPE 64A



Scale 1:1

Part No.:	USN-1806
Description:	US seal
Color:	Beige
Material:	TPE 64A



Scale 1:1

	Part No.:	USN-US-CBS
	Description:	US seal
	Color:	Beige
	Material:	TPE 80A
Scale 1:1		

	Part No.:	USN-USF-10
	Description:	US seal
	Color:	Beige
	Material:	TPE 73A
Scale 1:1		

	Part No.:	USN-US-187
	Description:	US seal
	Color:	Beige
	Material:	TPU 75A
Scale 1:1		

	Part No.:	USN-US-189
	Description:	US seal
	Color:	Beige
	Material:	TPE 55A
Scale 1:1		



CUSTOMER ORDERING FORM

Contact Info:

Customer: _____

Contact: _____

Address: _____

Phone: _____ Fax: _____

e-mail: _____

Type of Filler: _____ Number of Valves: _____

Hot CIP: Yes / No CIP Temp: _____

OEM #: _____

Seal Colour: _____ Seal Hardness: _____

How Often are seals replaced: _____

Sketch:

Other Notes: _____

Beverage Machinery Components

**World leader in cost-effective
industrial spray applications and high-speed
packaging line wear parts.**

Do you need a quote?

We would be happy to quote on any project.
We provide engineering design and prototype services.
Please send your *Request for Quote* to our email or
fax information below to ensure a quick turnaround.

If your project is time sensitive, please email: info@uni-spray.com
and a product specialist will immediately review your request.

Uni-Spray
Systems Inc.

CORPORATE HEAD OFFICE

44 Durward Place, Waterloo, Ontario, Canada N2L 4E4
Tel: 519-885-4270 | Fax: 519-885-4325 | info@uni-spray.com

UNITED STATES ENQUIRIES

Toll free: 1-877-236-0204 | info@uni-spray.com

www.uni-spray.com